

GCL-GH

HEAVY-DUTY GEAR HEAD HOIST OPERATOR



The GCL-GH is designed for high or full-lift sectional and rolling doors that have up to 60-cycle/hour duty requirement. Advanced features and robust mechanical design combine to provide a heavy-duty operator that sets a new standard for productivity.

UL325-2010 APPROVED

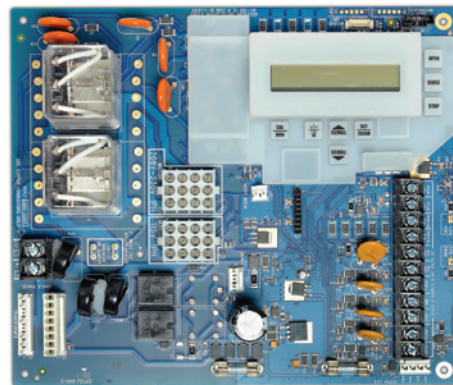
- Allows for monitored entrapment connections for protection and momentary operation when used with select photo eyes and/or edge-sensing devices.
- See back for approved list of monitored devices.

GCL-GH Advantages

- MultiVolt™ - Order phase specific operator for the job and have the ability to select the right voltage on the job site.
 - Single Phase: 115/208/230 VAC
 - Three Phase: 208/230/460 VAC
 - Three Phase: 575 VAC only models also available
- Modular design with optional expansion boards for advanced timer to close, and auxiliary output functionality.
- LCD display with intuitive setup menu. Provides real-time status and trouble-shooting assistance.
- Internal receiver with the ability to individually add/delete up to 50 Intellicode® I transmitters directly from the LCD display.
- EZ Limit™ provides for push to set limits that remain synchronized with door even during long term loss of power.
- Open/close/stop and setup keys included on control board. Keeps all controls near the LCD display convenient for set up.

Standard Features

- EZ Limit™ electro-mechanical limits.
- MultiVolt™ voltage simplification.
- Max run timer automatically adjusts to up and down run time.
- Heavy-duty worm gearbox for primary reduction.
- Delay on reverse.
- 16-character LCD display.
- UL325-2010 approved.
- Advanced radio receiver displays and stores activation by transmitter ID number on the LCD screen.
- 3-button control station.
- 2-year/20,000-cycle warranty.
- Programmable mid-stop.
- Emergency hoist for manual operation. Easily changed in field from left to right hand.
- DC disc brake with progressive braking.
- On-board timed close



GCL-GH operators are covered by the following U.S. patents: 6737823, 8014966, 8113263



If a commercial door is an essential component of your business, then a Genie operator will help ensure it performs when you need it - every day. You can count on our long-standing reputation for innovative & reliable performance. Genie - The Brand You Trust.

©2020 The Genie Company | GCL-GH



GCL-GH | HEAVY-DUTY GEAR HEAD HOIST OPERATOR

MAX DOOR SIZE (SQ*FT) - SECTIONAL

Door Series		Commercial Steel Insulated & Non-Insulated								Thermospan®				ThermoMark™		Aluminum	
		216	216 Ins.	220	220 Ins.	2415	2415 Ins.	2411	2411 Ins.	125	150	200	200-20	5150	5200	451	452
		Flush		Ribbed						Insulated				Insulated			
Model	Max Door Wt. (lbs)	16GA.	16GA. Ins.	20GA. Steel	20GA. Ins.	24GA.	24GA. Ins.	Nominal 24GA.	Nominal 24GA. Ins.	PU-FIP	PU-FIP 1.38"	PU-FIP 2"	PU-FIP 2" 20GA. Ext.	PU-FIP Raised Panel 1.38"	PU-FIP Raised Panel 2"	1/8" Glass 1.38"	1/4" or 1/2" Glass 1.38"
1/2 HP	1310	300	256	410	280	520	400	320	320	256	430	430	350	450	430	400	320
3/4 HP	1450	340	256	450	320	540	410	320	320	256	450	450	400	480	460	400	350
1 HP	1650	390	290	510	380	580	410	320	320	256	480	480	420	510	490	400	400
3 HP	3696	700	500	700	560	770	600	320	320	256	480	900	680	530	680	400	400

MAX DOOR SIZE (SQ*FT) - ROLLING

Door Series		Steel Non-Insulated						Steel Insulated			Counter Doors		Grilles		FireStar2™ Slat		FireStar3™ Slat				FireStar3™ Slat Insulated	
Model	Max Door Wt. (lbs.)	16GA.	18GA.	20GA.	22GA.	24GA.	26GA.	18GA.	20GA.	22GA.	Alum	STL/SST	Alum	STL/SST	20GA.	22GA.	16GA.	18GA.	20GA.	22GA.	20GA.	22GA.
1/2 HP	1310	250	277	277	333	360	360	194	194	222	126	126	360	280	210	270	128	144	166	220	120	128
3/4 HP	1450	283	350	350	442	494	N/A	232	232	283	126	126	490	350	N/A	N/A	N/A	N/A	N/A	N/A	N/A	N/A
1 HP	1650	318	420	420	548	636	N/A	244	244	303	N/A	N/A	580	380	320	355	176	188	246	272	160	180
3 HP	3696	962	1035	1152	1152	1152	N/A	728	728	986	N/A	N/A	982	982	576	576	342	390	576	576	300	324

- Notes: 1. Maximum door weight, and not the square footage, is the critical factor in selecting the proper operator.
 2. Maximum door height: 24', for over 24' required contact factory.
 3. For "Commercial Steel Insulated" category, various "backer" options are available. The chart above is based in all cases on the thickest backer available.
 4. "PU-FIP" stands for "polyurethane, foamed-in-place". If no notation is present, insulation is "polystyrene laid-in-place".

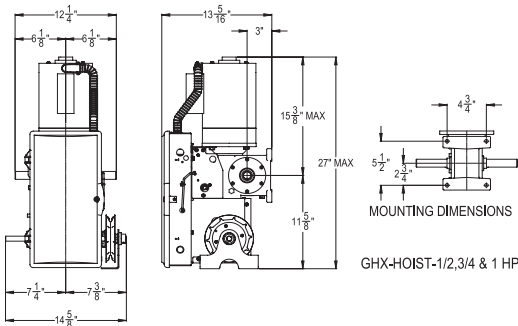
Construction

- Motor**
AC continuous-duty motor. Motor replaceable without changing limits. Thermally protected.
- Drive**
Primary — Heavy-duty worm gear running in oil bath. All-weather synthetic lube for low/high temperature operation.
Secondary — Heavy-duty chain and sprocket reduction
- Brake**
24VDC disc brake standard.
- Precision Radial Ball / Roller Bearings**
Used exclusively throughout the operator powertrain.
- Emergency Hoist Manual Operation**
Electrically interlocked manual hoist with floor level disconnect.
- Pre-wired to accept:**
 - Monitored entrapment device such as photo eyes.
 - Single or 3-button control stations.
 - External interlock switches.

Accessories and Options

- Timer to Close Module**
This optional module plugs directly into the control board expansion port providing the operator with an automatic door closing feature with a user selectable time delay, adjustable from one second to five minutes (in increments of one second) using the LCD display. The module also includes pre-close warning output contacts, timer hold input, auxiliary open input, normally closed safety input, and monitored edges input.
 - Auxiliary Output Module**
Provides relay contacts at the open, close, and mid-stop limits. Contacts for 5-minute lamp, and "ADA" contacts set via LCD display to warn during opening, closing or both.
 - Intellicode® I Transmitters**
Available in single up to four button, or open/close/stop models.
 - Environmental Modifications**
Totally enclosed non-ventilated, or fan-cooled motors available - Must be ordered from the factory. Nema 4 or Nema 4X environmental modifications - Must be ordered from the factory.
 - UL325-2010 Approved Reversing Devices**
The installation of a monitored external entrapment device is required for momentary contact close operation on all Commercial door operators. Only the following devices, when purchased through Genie, are UL-approved for use to meet this requirement:
 - Safe-T-Beam® Photoeye Kit with adjustable bracket P/N 38176R.S¹
 - Impact-protected Commercial Photoeye Kit P/N OPAKPE.S
 - MillerEdge ME/MT/CPT (DC or T3) 2-wire edge sensor. Must be used with TCM (OPABTCGX.S) or Interface Module (OPAKMEIGX.S).
 - Nema 4 Photoeyes P/N OPAKPEN4GX.S
 - Light Curtain 3 ft. length P/N OPAKMLC3.S, or 6 ft. length P/N OPAKMLC6.S
- ¹ — Default device when operator is ordered.

AMPERAGE RATING - 60Hz							
HP	115V 1Ø	208V 1Ø	230V 1Ø	208V 3Ø	230V 3Ø	460V 3Ø	575V 3Ø
1/2	10	5	5	3	3	3	2
3/4	11	6	6	3	4	3	2
1	14	7	7	4	4	3	2
3	N/A	N/A	N/A	11	10	6	5



COMMERCIAL LINE

The Genie Company, One Door Drive, Mt. Hope, Ohio 44660

www.geniecompany.com/commercial | 1.800.843.4084

Item G001.0076 Rev. 5/20

YOUR GENIE PROFESSIONAL DEALER: