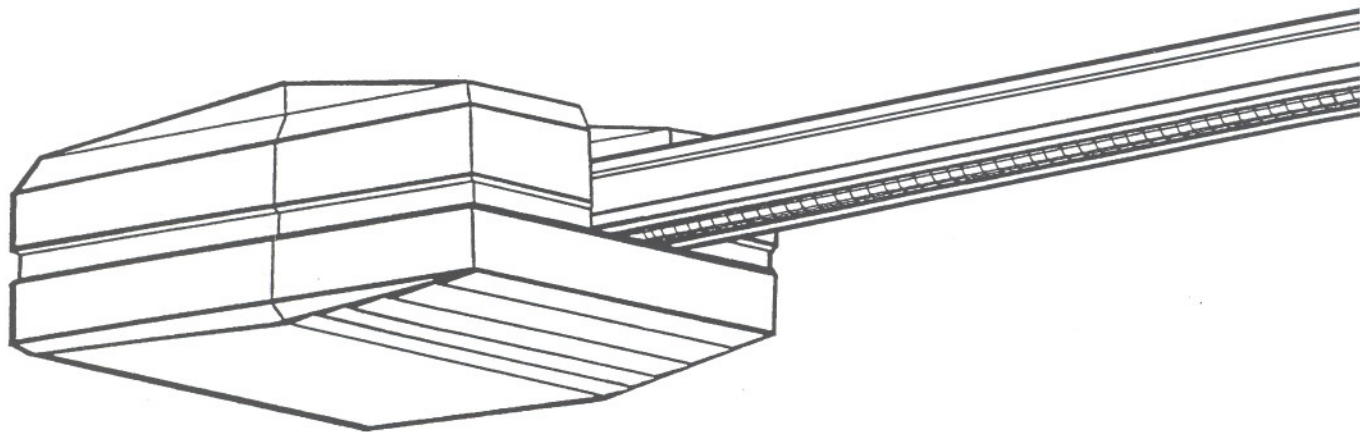


HANG NEAR
DOOR OPERATOR

G, GX & GXL
Series

3144024284

GENIE[®]



Automatic
Screw Drive
Garage Door Operator
System

Non-Contact Optical Sensor System MUST Be Installed To Close Door!

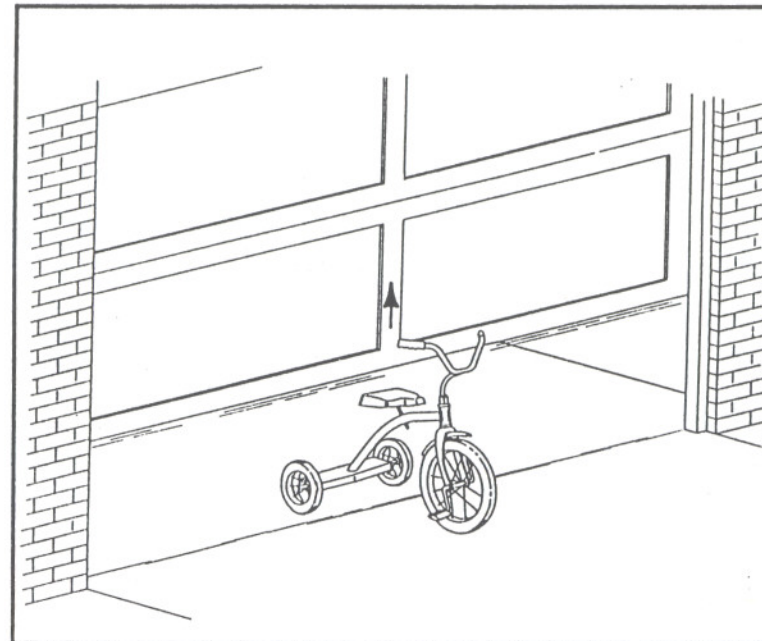
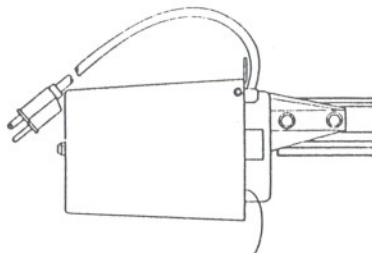
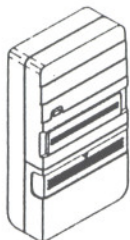
As required by federal law

Owner's Manual
SAVE FOR FUTURE REFERENCE

Customer Service
CALL: 1-800-OK-GENIE

AUTOMATIC GARAGE DOOR OPERATOR SYSTEMS

At Genie, we put your safety first.



- CONVENIENCE FEATURES**
A press of a button controls your Genie garage door operator.
- Press once – door will open or close.
 - Press again – door stops moving.
 - Press again – door moves the other way.
 - Door stops when fully open or closed.
 - Press button and lights come on.
 - Lights go off 5 minutes after door stops.

STANDARD FEATURES
One button remote control and wall control – basic operator controls.

ACCESSORIES
Mini remote control – convenient key-chain size.
Wall console – operates lights and locks door operator functions for security.

- POWERFUL SCREW DRIVE SYSTEM**
Low speed screw drive never needs adjustment for stretch or wear.
Genie designed and built motors.
- Opener Series – Horsepower
CM7500 – 1/3 HP
CM8500 – 1/2 HP
- Rugged solid-state controls deliver long life and dependability.
Adjusts easily to open:
- Single or double sectional doors
 - One piece track doors
 - One piece jamb or pivot doors

REMOTE CONTROLS

- In US FCC Certified
- In Canada DOC Certified
- Contain "EVEREADY" Brand Batteries.

- SAFETY FEATURES**
- SAFE-T-REVERSE®**
Automatically stops and reverses a closing door within two seconds of contact with an object.
- SAFE-T-STOP®**
Automatically stops and reverses a closing door if it fails to close completely in 24 seconds.
- SAFE-T-BEAM® (STB)**
FOR ADDITIONAL SAFETY, AN OPTICAL SENSOR SAFETY BEAM (STB) IS INCLUDED.
This puts an invisible beam across the door opening. If anything breaks the beam when the door is closing, the door stops and reverses to open position.
- SAFE-T-CLUTCH®**
Limits the force required to operate the door reliably.
- RELAY MONITORING SYSTEM**
Automatically stops and reverses a closing door if a control relay malfunctions.
- WATCH DOG™ SAFETY SYSTEMS SUPERVISOR**
Monitors all safety features.

**AVOID PERSONAL INJURY AND EQUIPMENT DAMAGE
READ THESE INSTRUCTIONS BEFORE INSTALLING OPERATOR**

IMPORTANT – AVOID ACCIDENTS READ INSTRUCTIONS FIRST.

WARNING

IMPROPER OPERATION CAN INJURE PEOPLE OR PETS.

FOR MAXIMUM SAFETY:

- Mount wall control:
 - Out of reach of children.
 - Where individual cannot stand under or near moving door.
- Show everyone who will use operator how to use it safely.
- Operate door only when it's fully visible – in your full view.
- Do not operate door when anyone is in area.
- Do not allow anyone to run under moving door.
- Do not allow children or pets to play under door.
- Do not let children play with controls.

CHECK SAFE-T-REVERSE FUNCTION MONTHLY.

WARNING

DOOR SPRINGS ARE POWERFUL.

They balance the weight of the door. Sudden release of spring tension can result in deadly force.

NEVER TRY TO WORK ON SPRINGS. CALL A PROFESSIONAL FOR SERVICE.

WARNING

ELECTRICAL SHOCK HAZARD. HIGH VOLTAGE APPLIED TO OPERATOR.

Improper wiring can result in severe electrical shock or death.

- Attach power cord only to a properly grounded outlet.
- Do not remove grounding prong from power cord.
- Do not use an extension cord to supply permanent power to operator.

Have a professional electrician install an approved outlet.

Check your local building codes.

Some codes require direct wiring to a branch circuit. Have a professional electrician install circuit and wire operator.

CAUTION

DOOR BRACING

Some doors require bracing before mounting an operator. This includes doors made of:

- fiberglass
- masonite
- metal
- light weight wood.

Contact door manufacturer or distributor for instructions.

WARNING

GARAGE DOORS ARE HEAVY.

- Stay out from under raised doors.
- Do not allow children to play under raised doors.
- Do not stand under moving doors.
- Do not try to run under moving doors.
- Do not try to operate a door with a broken spring.
- Do not try to operate a door with worn or damaged hardware.

KEEP YOUR DOOR IN GOOD REPAIR. CALL A PROFESSIONAL FOR SERVICE.

WARNING

HANDLES AND OTHER DOOR PROJECTIONS CAN CATCH CLOTHING.

- Remove all handles.
- Remove all ropes.
- Remove all hooks and hangers.
- Remove all decorative or security items mounted on door.
- Do not mount anything on garage door.

Keep people and pets away from door when it is moving.

CAUTION

AVOID DAMAGE TO YOUR OPERATOR AND DOOR.

Door locks can prevent proper operation.

Remove or disable all locks and locking hardware before installing operator.

Remove all hardware that project from the door.

INSTALL OPERATOR ONLY ON PROPERLY WORKING DOOR.

BEFORE INSTALLATION:

1. Inspect door. Look for wear at pivot joints and bearings. Have a professional repair or replace any items that are:

- Missing
- Rusted, worn or damaged

2. Be sure door is in good repair, properly lubricated and balanced.

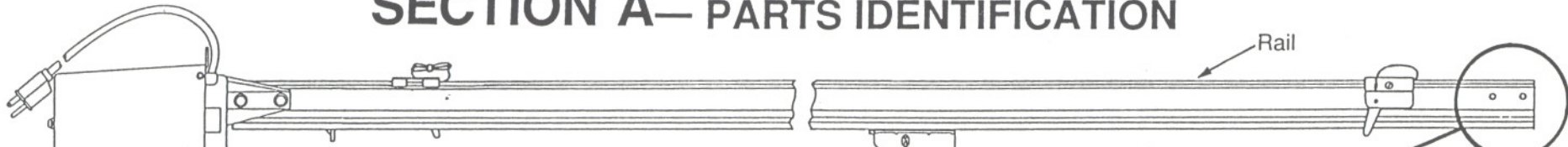
NEVER TRY TO WORK ON SPRINGS. CALL A PROFESSIONAL FOR SERVICE.

CAUTION

REPLACING EXISTING OPERATOR

- Carefully remove old machine and set aside.
- Remove all old mounting hardware.
- Use new hardware as supplied.

SECTION A— PARTS IDENTIFICATION



ATTACH RELEASE CORD AND KNOB TO CARRIAGE USING A SINGLE OVERHAND KNOT AT EACH END.

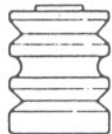
ATTACH RAIL STRAP TO RAIL

- Insert bolts and nuts
- Tighten nuts securely

Power Unit

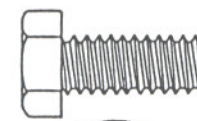


Red Release Cord

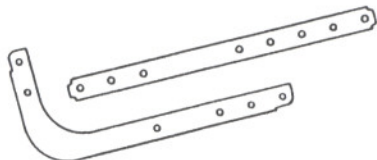


Red Release Knob

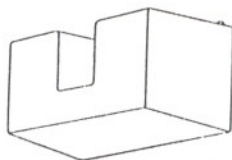
Actual Size Fasteners



Bolt
5/16 x 3/4



Door Arms



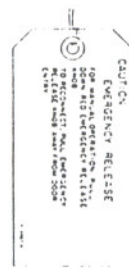
Lens



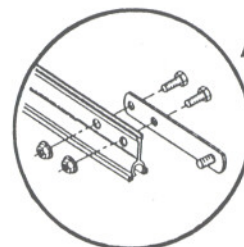
Wall Control
WARNING Label



Safety Reverse
Adjusting Tool



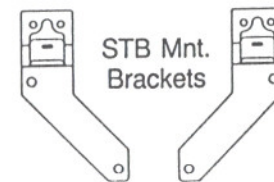
Emergency
Release
Tag



Rail Strap



Nut
5/16



STB Mnt.
Brackets



2-STB Two
Conductor Wire

Types of Fasteners Included

NOTE: In each installation step ACTUAL SIZE fasteners are shown. Place fastener on picture to check size.



Carriage Bolt
1/4 x 2



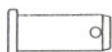
Wood Screw
No. 8 x 1-1/4



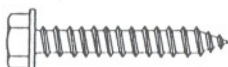
Wood Screw
No. 4 x 1



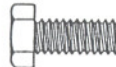
Hex Head Screw
No. 8 x 3/8



Clevis Pin



Lag Screw
5/16 x 2



Bolt
3/8 x 7/8



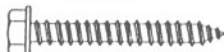
Bolt
5/16 x 3/4



Pan Head
No. 8 x 1 1/2



Cotter
Pin



Lag Screw
1/4 x 2



Insulated
Staple



No. 8
Hex Nut



Nut
1/4

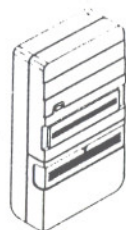


Nut
5/16



Nut
3/8

Control Components



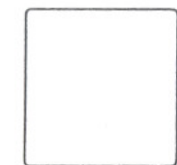
Remote
Control



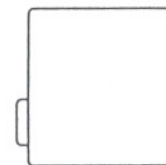
Wall
Control



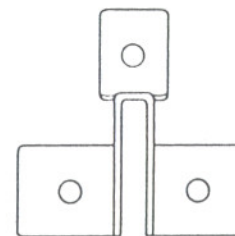
2-Conductor
Wire



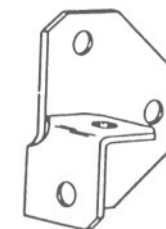
STB Transmitter



STB Receiver



Door Bracket



Header Bracket

IMPORTANT INSTALLATION INSTRUCTIONS

WARNING – To reduce the risk of severe injury or death:

1. READ AND FOLLOW ALL INSTALLATION INSTRUCTIONS.

2. Install only on a properly balanced garage door. (See Section L, page 21). An improperly balanced door could cause severe injury. Have a qualified service person make repairs to cables, spring assemblies and other hardware before installing opener.

3. Remove all ropes and remove or make inoperative all locks connected to

the garage door before installing opener.

4. If possible, install door opener 7 feet or more above floor. Mount the emergency release 6 feet above the floor.

5. Do not connect opener to source of power until instructed to do so.

6. Locate control button: (a) within sight of door, (b) at a minimum height of 5 feet

so small children cannot reach it, and (c) away from all moving parts of the door.

7. Install Wall Control Warning Label next to control button. Install Emergency Release Tag onto the emergency release. If label does not adhere, use tacks, staples or other fasteners.

8. After installing opener and properly adjusting the opener, the door must reverse when it contacts a 2 x 4" board laid flat on the floor.

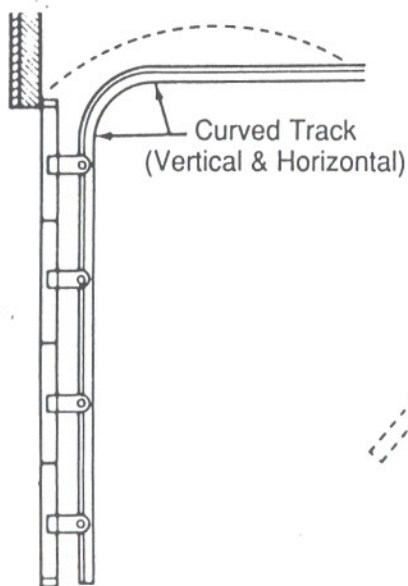
WHAT TYPE OF DOOR DO YOU HAVE?

Look at the drawings below. They tell you where to find the installation instructions you need.

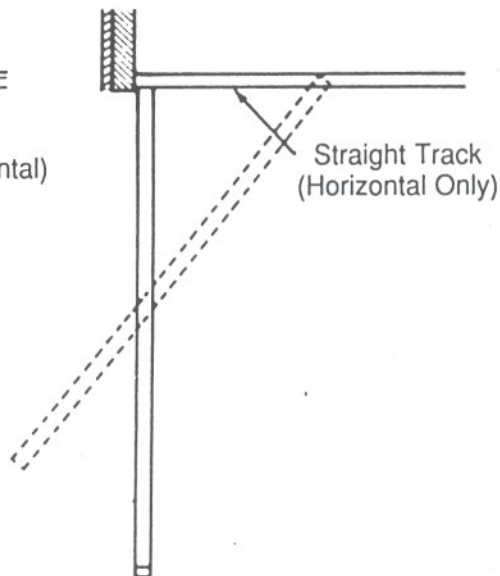
Track Operated Door

SEE SECTION B (page 6)

Sectional Door
With Curved Track Hardware



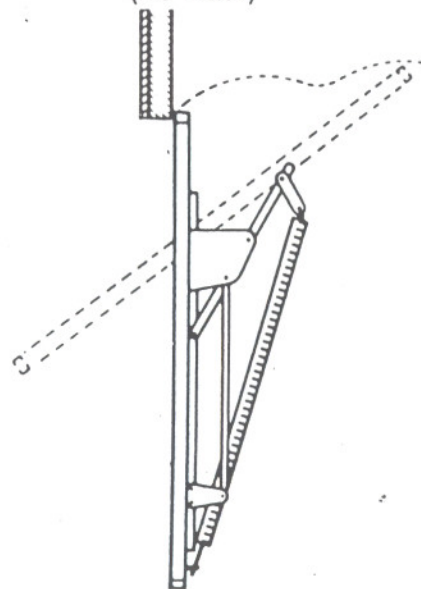
1-Piece Door
With Horizontal Track Hardware



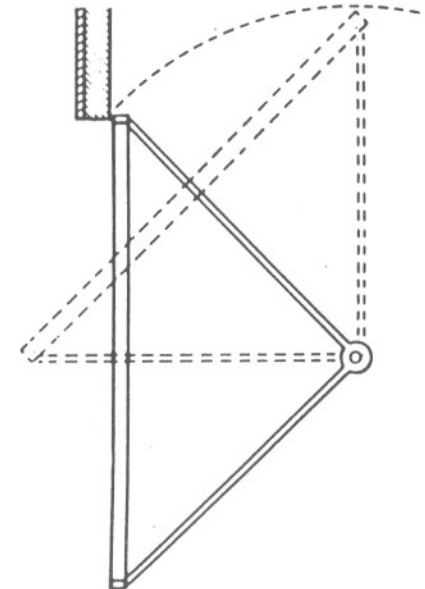
Trackless Door

SEE SECTION C (page 10)

1-Piece Door
Jamb Type Hardware
(No Track)



1-Piece Door
Pivot Type Hardware
(No Track)



SECTION B — INSTALLATION ON TRACK OPERATED DOORS

WARNING

GARAGE DOOR SPRINGS ARE POWERFUL.

They balance the weight of the door. Sudden release of spring tension can result in deadly force.

NEVER TRY TO WORK ON SPRINGS CALL A PROFESSIONAL FOR SERVICE.

WARNING

HANDLES AND OTHER DOOR PROJECTIONS CAN CATCH CLOTHING.

- Remove all handles.
- Remove all ropes.
- Remove all hooks and hangers.
- Remove all decorative or security items mounted on door.

Keep people and pets away from door when it is moving.

CAUTION

AVOID DAMAGE TO OPERATOR AND VEHICLES.

Be sure emergency release cord doesn't catch on roof carrier or other vehicle parts.

Operator must be mounted 7 feet or more above garage floor.
Emergency release knob must be 6 feet above garage floor.

1 ESTABLISH CENTER LINE OF DOOR AND HEADER. (Fig. 2)

- Close door.
- Measure door width. Mark center.
- Use straight edge to draw vertical line "V":
 - down door about 6"
 - on top of door.
 - up header about 6"

2 ESTABLISH HEADER BRACKET POSITION. (Fig. 3)

NOTE: Header bracket must be at least 2-1/2" above high point of door travel. It can be installed higher if door spring is in the way.

DO NOT MOVE THE SPRING.

- Watch top edge of door as you raise it.
- Stop door when top edge reaches highest point of travel.
- Measure distance from top edge of door to floor.
- Add 2-1/2" to this measurement.
- Close door.
- Mark header at this height.
- If door spring is in the way, mark header above the spring.
- Draw horizontal line "H" across line "V" at this point. (Fig. 2)

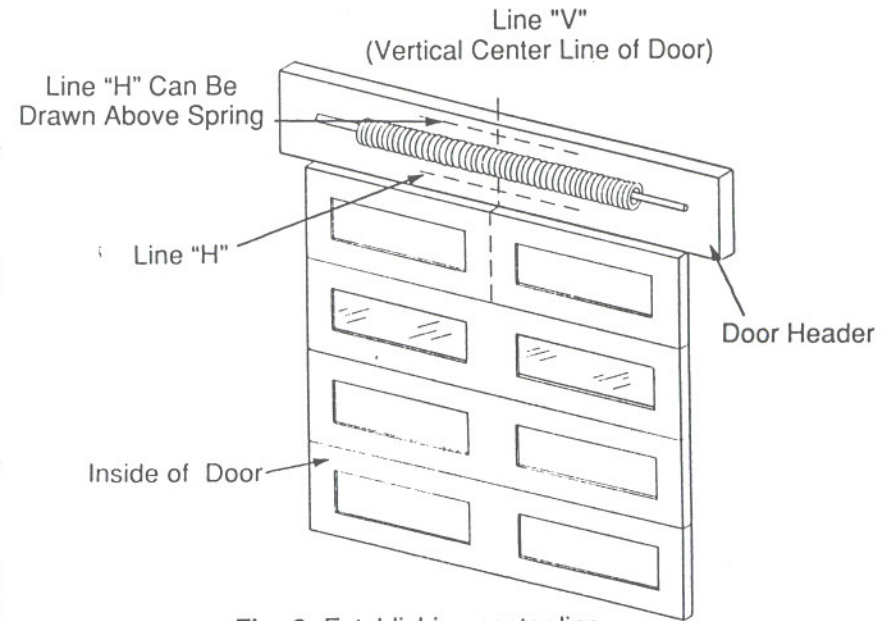


Fig. 2. Establishing center line

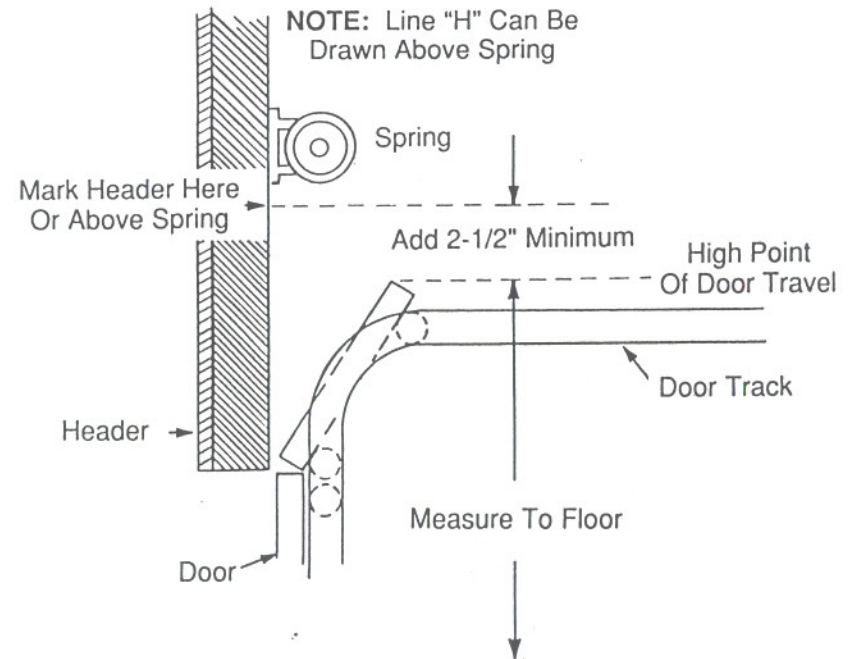


Fig. 3. Header bracket position

ATTACH HEADER BRACKET

(Either mounting method is acceptable. Use at least 2 lag screws)

WARNING

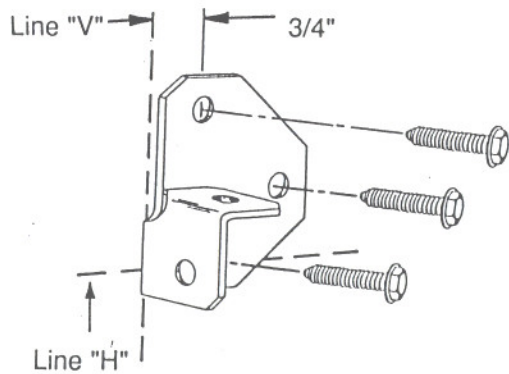
HEADER BRACKET MUST BE FASTENED TO GARAGE FRAMING.

Do not fasten to:

- Dry wall
- Particle board
- Plaster
- Other such materials

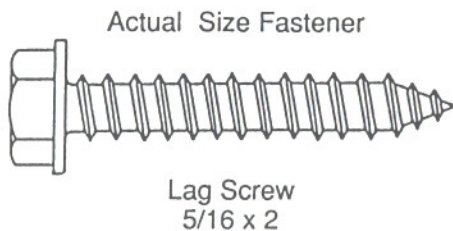
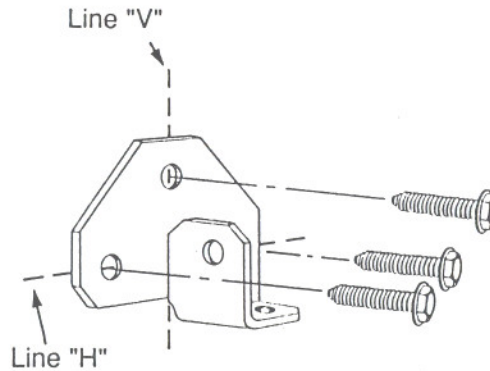
3A VERTICAL MOUNTING.

- Place bracket so:
 - Top and bottom holes are 3/4" to right of line "V".
 - Bottom hole is on line "H".
- Mark hole positions.
- Drill 7/32" holes at marked positions.
- Fasten bracket to header with lag screws.



3B HORIZONTAL MOUNTING.

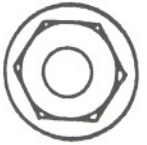
- Place bracket so:
 - Top hole is on line "V".
 - Bottom holes are on line "H".
- Mark hole positions.
- Drill 7/32" holes at marked positions.
- Fasten bracket to header with lag screws.



4 ATTACH OPERATOR TO HEADER BRACKET. (Fig. 4)

- Insert threaded end of rail strap through header bracket hole.
- Place cardboard packing under power unit.
- Install nut.
- Finger tighten only.

Actual Size Fastener



Nut
5/16
(Finger Tight Only)

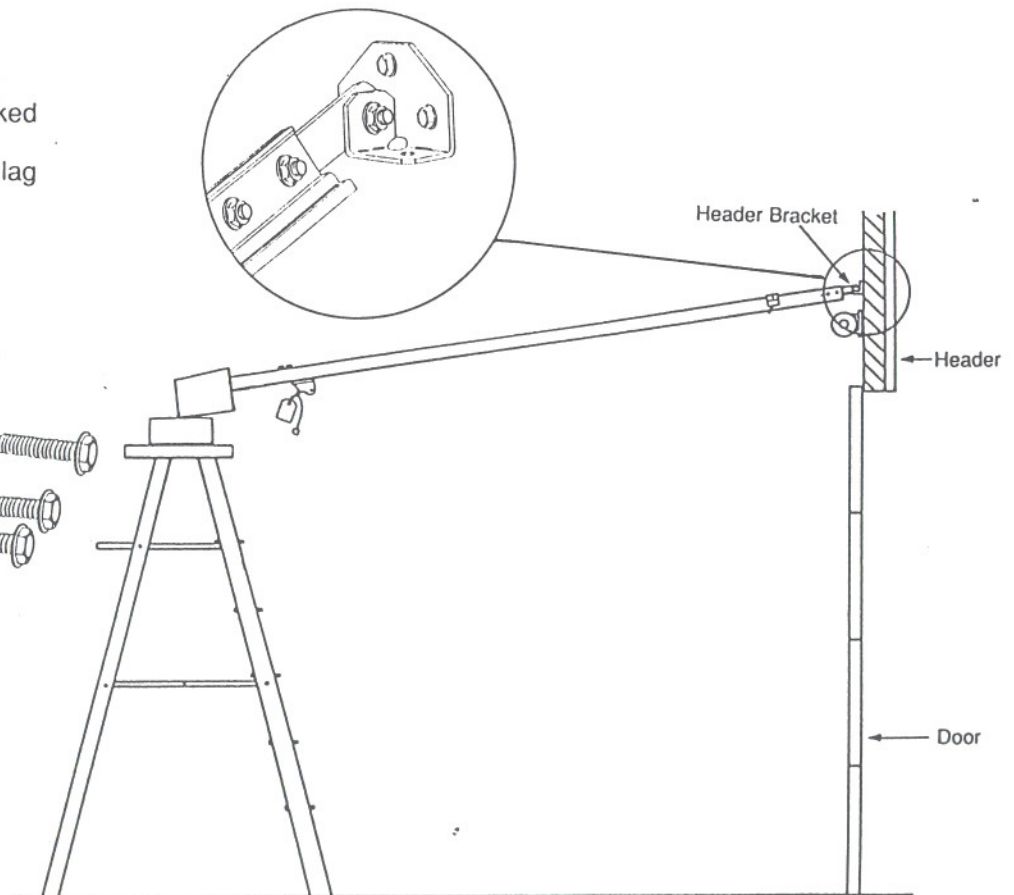
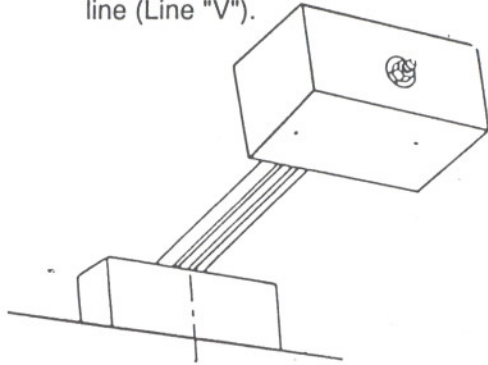


Fig. 4 Attaching Operator to Header Bracket

5 LEVEL OPERATOR.

NOTE: The operator should be level if possible. If necessary, power unit may be mounted lower. However mounted, door must not touch rail as it moves.

- Raise and support power unit above door tracks.
- Open door.
- Set operator on door.
- Level operator with blocks.
- Be sure operator is on door center line (Line "V").



Support With
Cardboard Packing
or Wood

6 MOUNT POWER UNIT

WARNING

Mounting material must be fastened to garage framing.
DO NOT FASTEN TO:

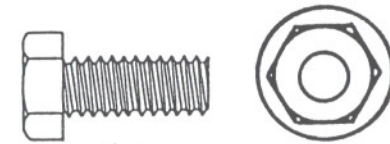
- dry wall
- particle board
- plaster
- other such materials

NOTE: Garage constructions differ. You may have to modify the basic procedure. You may need additional materials. Read all instructions completely. Determine your needs. Secure all additional materials before you proceed.

MOUNTING

- Two bolts and nuts are supplied. All other materials must be provided on site.
- Use a method shown below.
- After power unit is hung remove blocks supporting operator.
- Close door.
- Tighten header bracket nut securely.
- **DO NOT PLUG POWER CORD INTO OUTLET.**

Actual Size Fasteners

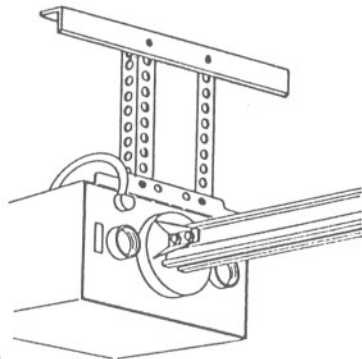


Bolt
5/16 x 3/4

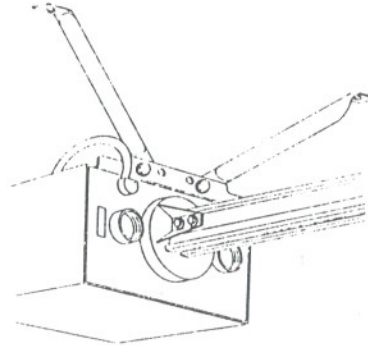
Nut
5/16

SUGGESTED MOUNTING METHODS

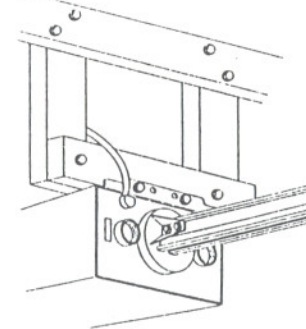
Perforated Angle Iron Method



Conduit Method



Lumber Method



7 INSTALL DOOR BRACES

CAUTION

FAILURE TO PROPERLY BRACE DOOR MAY RESULT IN DAMAGE TO DOOR.

Some doors require bracing before mounting an operator. This includes doors made of:

- fiberglass
- metal
- masonite
- lightweight wood

Contact door manufacturer or distributor. Ask for bracing instructions required for an automatic door operator.

THE GENIE COMPANY IS NOT RESPONSIBLE FOR DOOR DAMAGE DUE TO IMPROPER BRACING.

8 INSTALL DOOR BRACKET (Fig. 5)

NOTE: Door constructions differ. You may have to modify the basic procedure. You may need additional materials. Parts are supplied for typical wood door only. (Fig. 6)

- Place door bracket on line "V":
 - on inside of door as shown.
 - position below brace.
 - no lower than top rollers.
- Mark hole locations.
- Drill $\frac{1}{4}$ " holes completely through door.
- Fasten bracket to door with 3 carriage bolts.
 - Insert bolts from outside.
 - Install and tighten nuts securely.

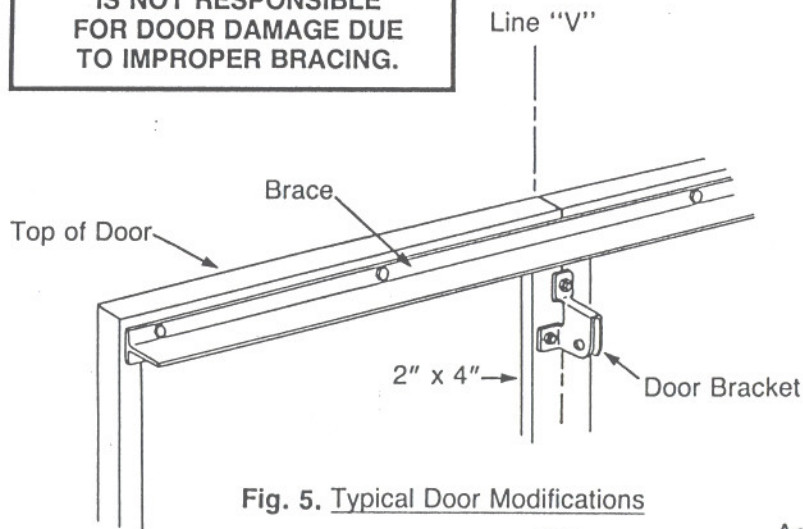


Fig. 5. Typical Door Modifications

9 INSTALL DOOR ARMS. (Fig. 7)

- Attach straight door arm to carriage.
- Slip arm into slot at bottom of carriage as shown.
- Put clevis pin through holes in carriage and arm.
- Put cotter key through hole in clevis pin. Bend end of cotter pin to hold in place.
- Attach short end of curved door arm to door bracket as shown.
- Slip short end into slot in door bracket.
- Put clevis pin through holes in door arm and bracket.
- Put cotter key through hole in clevis pin. Bend end of cotter pin to hold in place.

- Pull Emergency Release knob down to release carriage.
 - Slide carriage toward closed door.
 - Stop carriage 8" to 10" from door.
- Join arm sections. (Fig 7)
 - Use two bolts and nuts.
 - Use holes as far apart as possible.
 - Slide carriage back and forth as needed to align holes.
 - Tighten nuts securely.

10 GO TO SECTION D, PAGE 16.

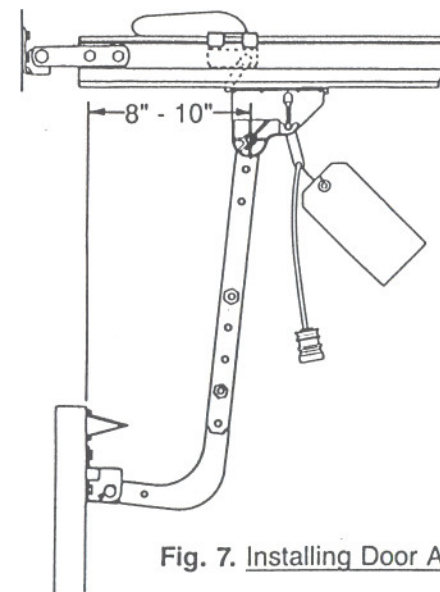
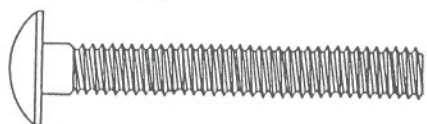


Fig. 7. Installing Door Arms

Fig. 6. Typical Wood Door



Carriage Bolt
1/4 x 2

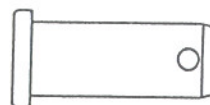


Nut
1/4

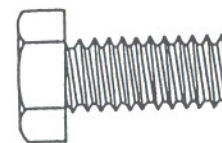
Actual Size Fasteners



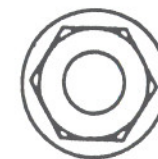
Cotter Pin



Clevis Pin



Bolt
3/8 x 7/8



Nut
3/8

SECTION C — INSTALLATION ON SINGLE PIECE DOORS

WARNING

GARAGE DOOR SPRINGS ARE POWERFUL.

They balance the weight of the door. Sudden release of spring tension can result in deadly force.

NEVER TRY TO WORK ON SPRINGS CALL A PROFESSIONAL FOR SERVICE.

WARNING

HANDLES AND OTHER DOOR PROJECTIONS CAN CATCH CLOTHING.

- Remove all handles.
- Remove all ropes.
- Remove all hooks and hangers.
- Remove all decorative or security items mounted on door.

Keep people and pets away from door when it is moving.

CAUTION

AVOID DAMAGE TO OPERATOR AND VEHICLES.

Be sure emergency release cord doesn't catch on roof carrier or other vehicle parts.

Operator must be mounted 7 feet or more above garage floor.
Emergency release knob must be 6 feet above garage floor.

1 ESTABLISH CENTERLINE OF DOOR AND HEADER. (Fig. 8)

- Close door.
- Measure door width. Mark center.
- Use straight edge to draw vertical line "V":
 - down door about 6"
 - on top of door.
 - up header about 20"

2 ESTABLISH HEADER BRACKET POSITION. (Fig. 8)

- Measure 15" to 20" up line "V" from top of closed door.
- Draw horizontal line "H" across line "V" at this point.

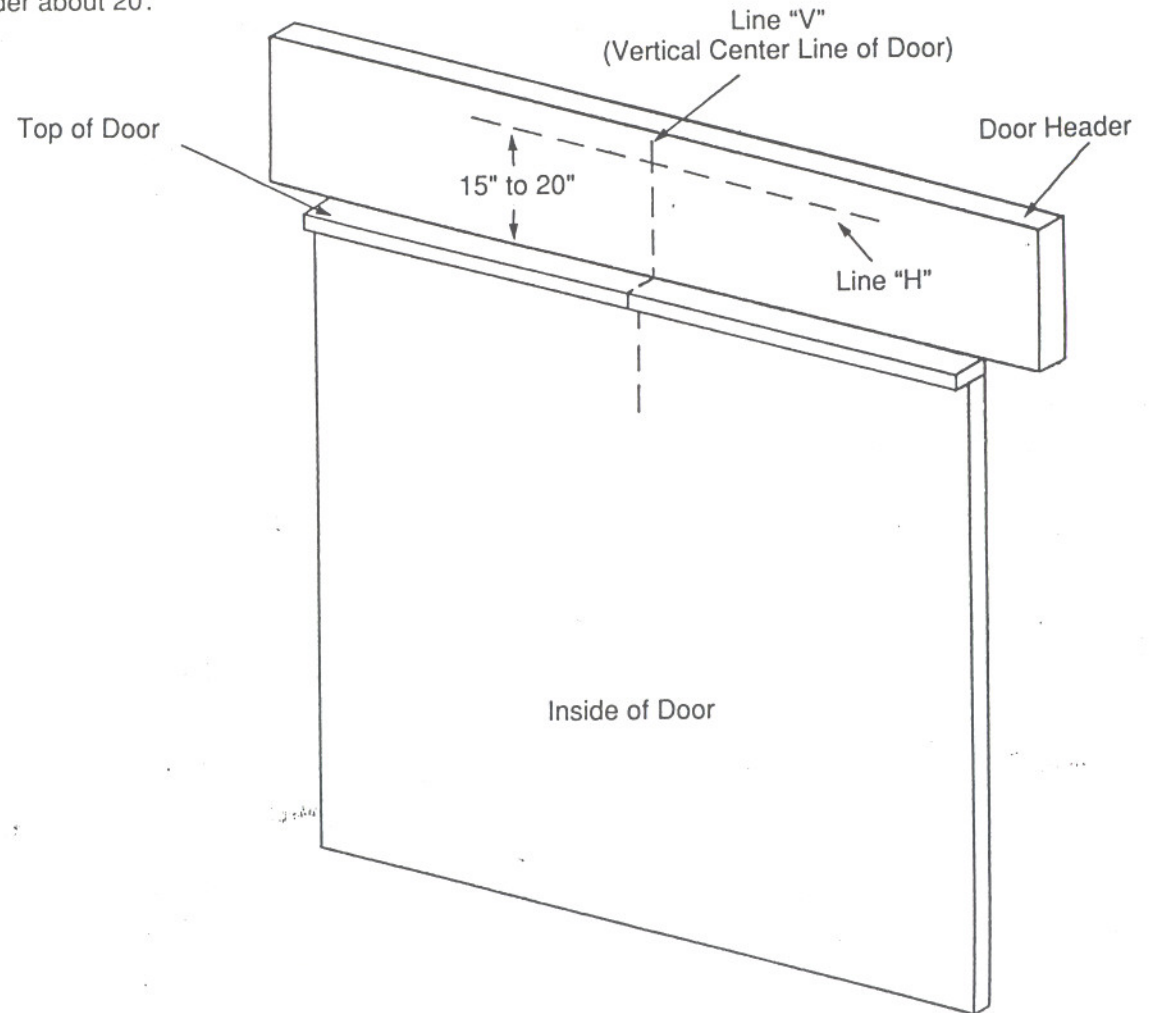


Fig. 8. Establishing Center Line

ATTACH HEADER BRACKET

WARNING

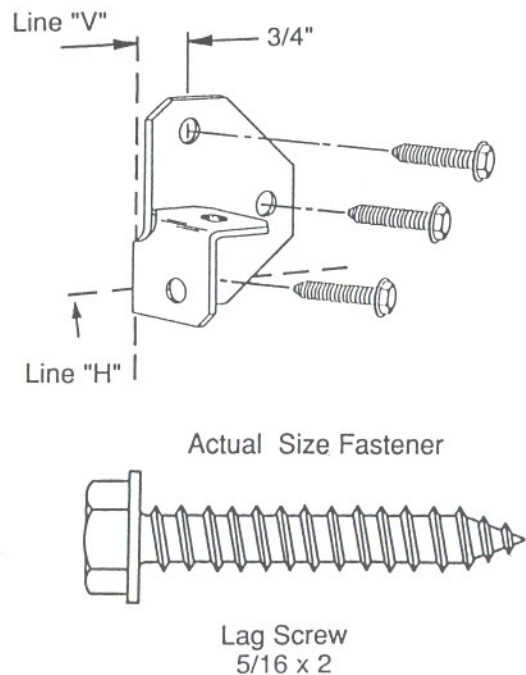
HEADER BRACKET MUST BE FASTENED TO GARAGE FRAMING.

Do not fasten to:

- Dry wall
- Particle board
- Plaster
- Other such materials

3 INSTALL HEADER BRACKET

- Place bracket so:
 - Top and bottom holes are 3/4" to right of line "V".
 - Bottom hole is on line "H".
- Mark hole positions.
- Drill 7/32" holes at marked positions.
- Fasten bracket to header with lag screws.



INSTALL DOOR BRACES

CAUTION

FAILURE TO PROPERLY BRACE DOOR MAY RESULT IN DAMAGE TO DOOR.

Some doors require bracing before mounting an operator. This includes doors made of:

- fiberglass
- metal
- masonite
- lightweight wood

Contact door manufacturer or distributor. Ask for bracing instructions for an automatic door operator.

THE GENIE COMPANY IS NOT RESPONSIBLE FOR DOOR DAMAGE DUE TO IMPROPER BRACING.

5 INSTALL DOOR BRACKET.

(Fig. 9)

- Place door bracket on line "V" on top of door.
- Mark hole locations.
- Drill 5/32" pilot holes.
- Fasten bracket to door with lag screws.

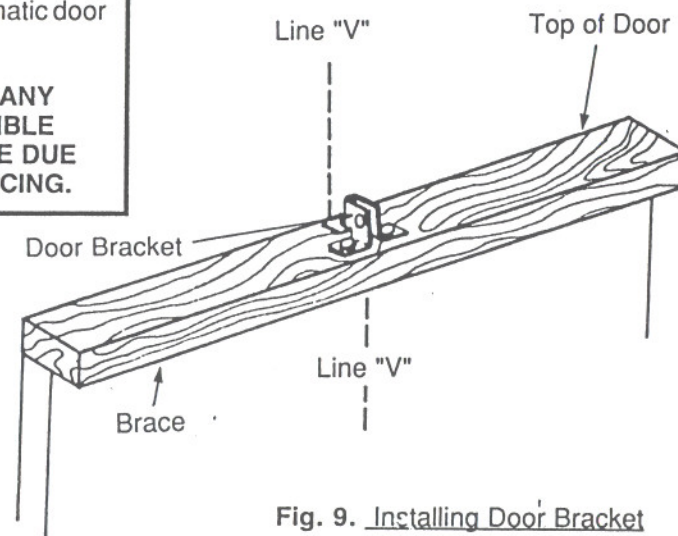


Fig. 9. Installing Door Bracket

6 ATTACH OPERATOR TO HEADER BRACKET. (Fig. 10)

- Insert threaded end of rail strap through header bracket hole.
- Place cardboard packing under power unit.
- Install nut.
- Finger tighten only.

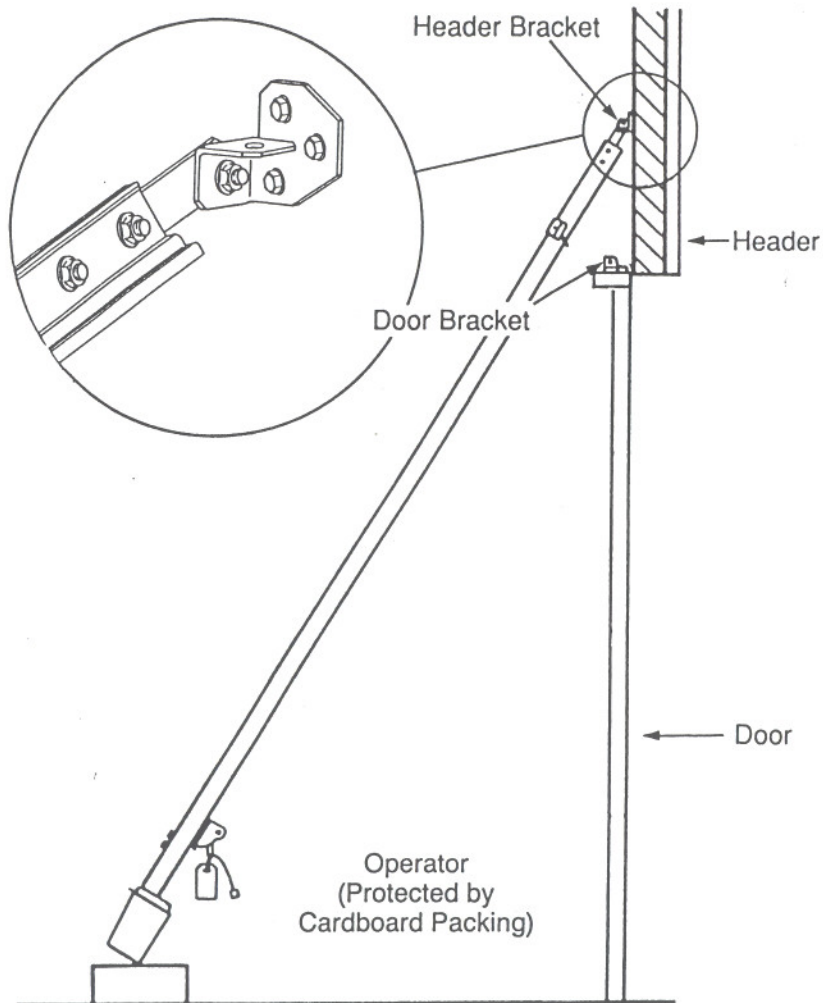


Fig. 10. Attaching Operator to Header Bracket

7 RAISING POWER UNIT. (Fig. 11)

- Support power unit at least 7-1/2 feet above floor. Use:
 - Ladder.
 - Cardboard packing.
 - Wood.
- Open door carefully.
- Center operator over line "V" on door.

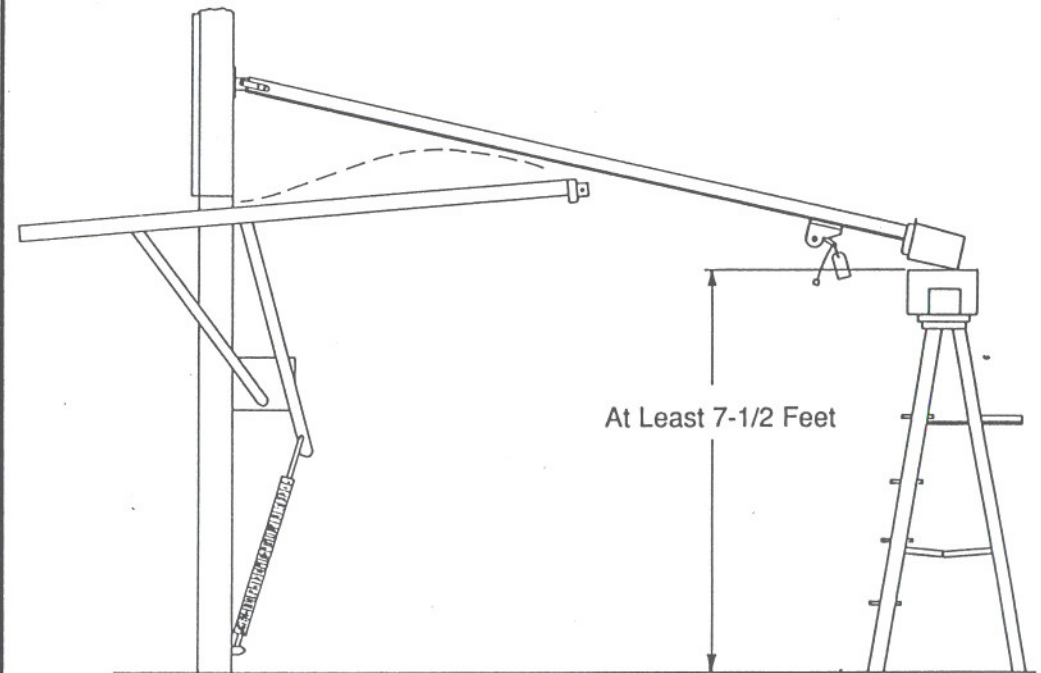


Fig. 11. Raising Power Unit

8 JOIN DOOR ARMS (Fig. 12)

- Overlap arms by two (2) holes.
- Install bolts and nuts.
- Tighten nuts securely.

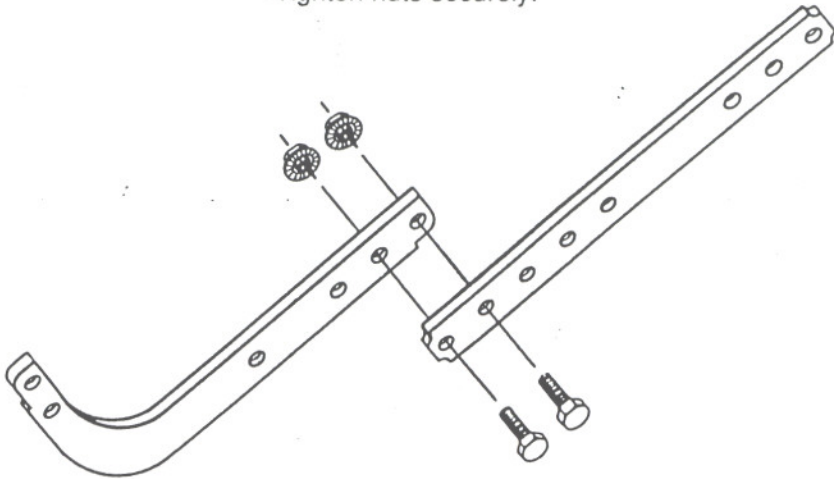
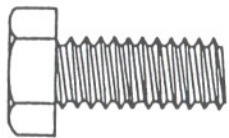


Fig. 12. Joining Door Arms

Actual Size Fasteners



Bolt
3/8 x 7/8



Nut
3/8

9 INSTALL ASSEMBLED DOOR ARMS. (Fig. 13)

- Attach straight end of assembled door arms to door bracket.
- Slip arm into slot in bracket.
- Put clevis pin through holes in door arm and bracket.
- Put cotter key through holes in clevis pin. Bend end of cotter pin to hold in place.
- Pull emergency release cord down to release carriage.
- Attach curved end of arm to carriage.
- Slip curved end into slot in carriage.
- Put clevis pin through holes in door arm and carriage.
- Put cotter pin through hole in clevis pin. Bend end of cotter pin to hold in place.

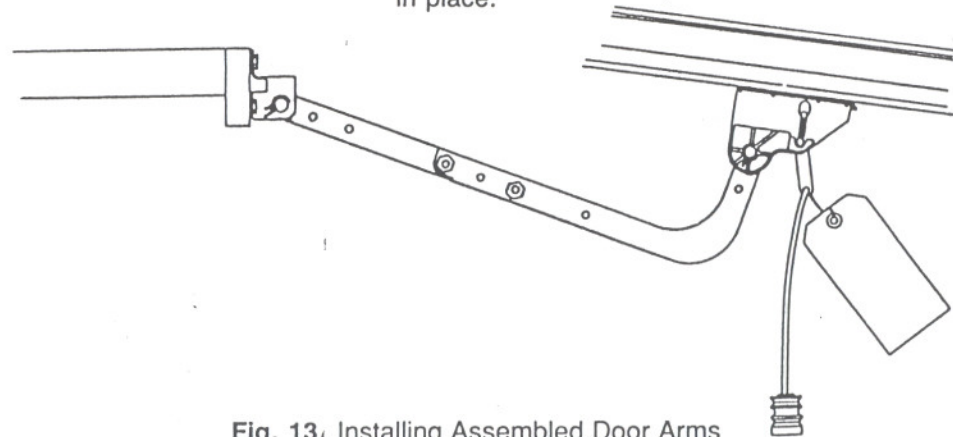
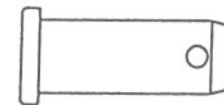


Fig. 13. Installing Assembled Door Arms

Actual Size Fasteners



Cotter Pin

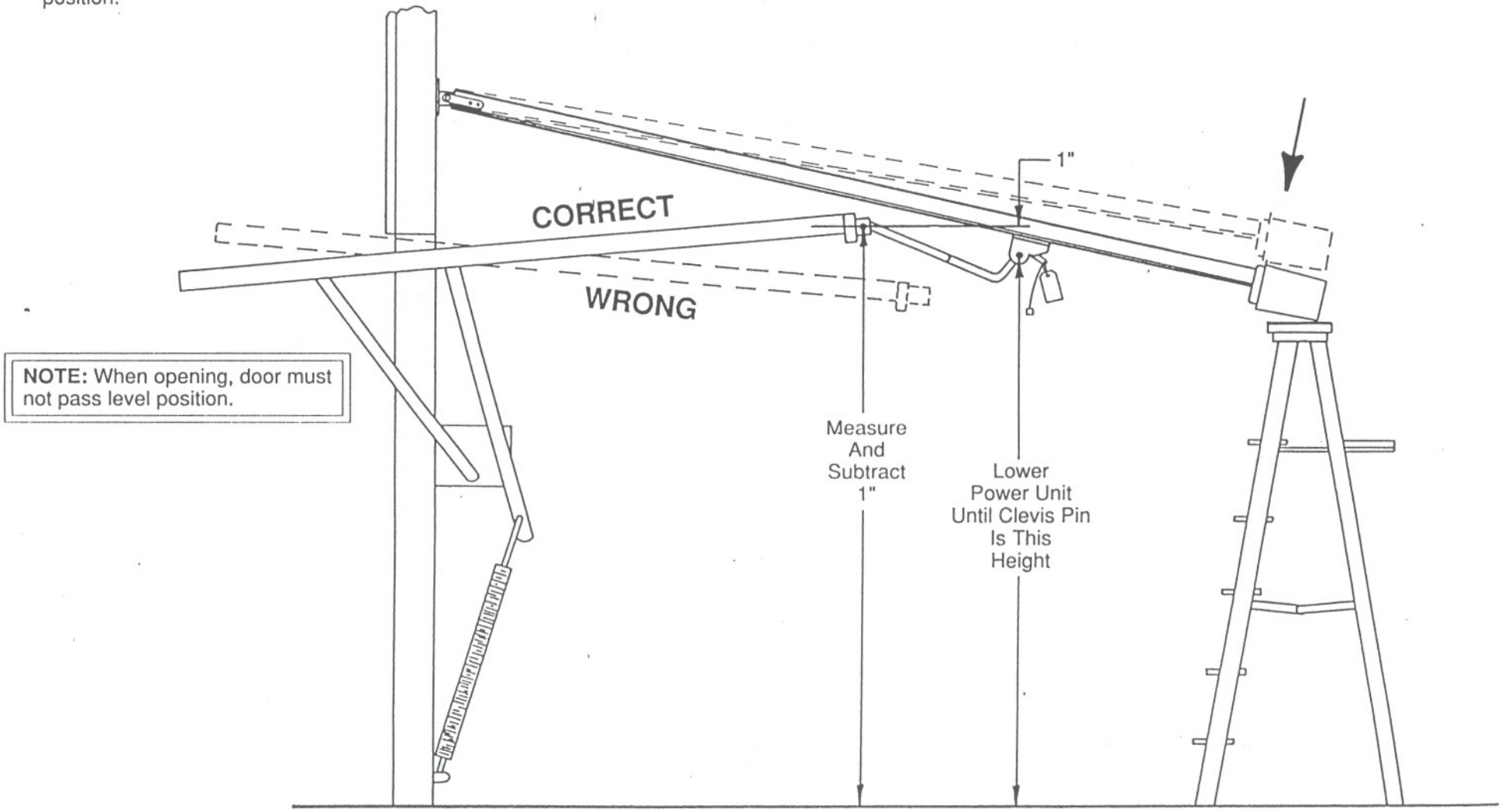


Clevis Pin

10 ESTABLISH POWER UNIT MOUNTING HEIGHT.

- Measure distance from door bracket clevis pin to floor.
- Subtract 1".
- Lower power unit until carriage clevis pin is this height.
- Temporarily support operator in this position.

NOTE: Door arms supplied may not be long enough for some installations. If you are not able to close the door after completing step 10, it will require a longer door arm. An extension kit can be purchased by calling: (216) 821-1221.



11 MOUNT POWER UNIT

WARNING

Mounting material must be fastened to garage framing.

DO NOT FASTEN TO:

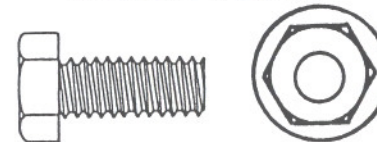
- dry wall
- particle board
- plaster
- other such materials

NOTE: Garage constructions differ. You may have to modify the basic procedure. You may need additional materials. Read all instructions completely. Determine your needs. Secure all additional materials before you proceed.

MOUNTING

- Be sure operator is on door center line (Line "V").
- Two bolts and nuts are supplied. All other materials must be provided on site.
- Use a method shown below.
- After power unit is hung remove blocks supporting operator.
- Close door.
- Tighten header bracket nut securely.
- **DO NOT PLUG POWER CORD INTO OUTLET.**

Actual Size Fasteners

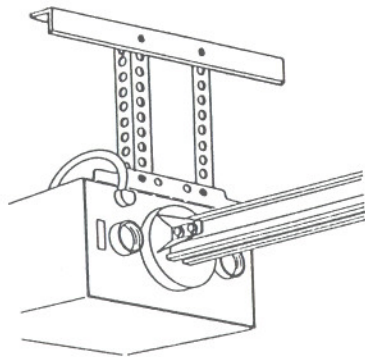


Bolt
5/16 x 3/4

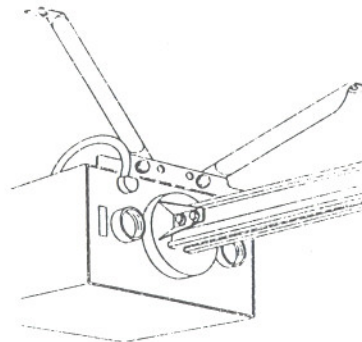
Nut
5/16

SUGGESTED MOUNTING METHODS

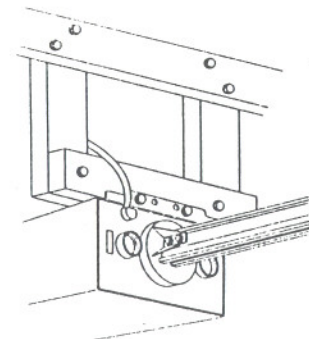
Perforated Angle Iron Method



Conduit Method



Lumber Method



SECTION D — ADJUSTING LIMIT SWITCHES

1 ADJUST "DOWN" LIMIT SWITCH (Fig. 14)

- Be sure carriage is released.
- Close door by hand.
- To begin adjustment, limit switch must be between carriage and rail strap. If not, move limit switch.
- Move limit switch until arm overlaps carriage by about 1".
- Tighten screw.
- Slight adjustment may be needed later.
- Bundle excess wire (use twist tie).

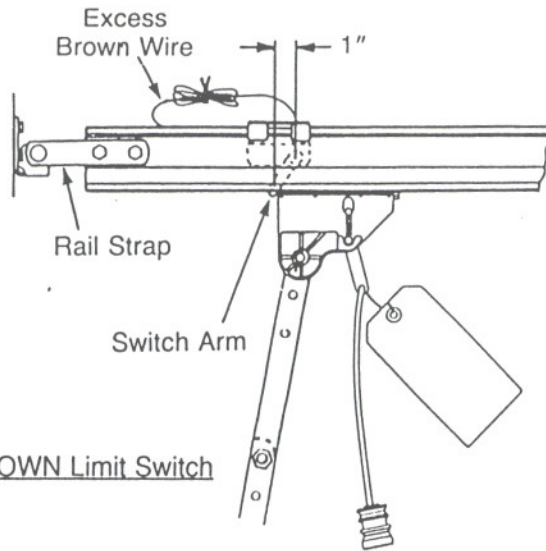


Fig. 14. Adjusting DOWN Limit Switch

2 ADJUST "UP" LIMIT SWITCH (Fig. 15)

- Fully open door by hand.
- To begin adjustment, limit switch must be between carriage and power unit. If not, move limit switch.
- Move limit switch until arm overlaps carriage by about 1".
- Tighten screw.
- Slight adjustment may be needed later.
- Bundle excess wire (use twist tie).

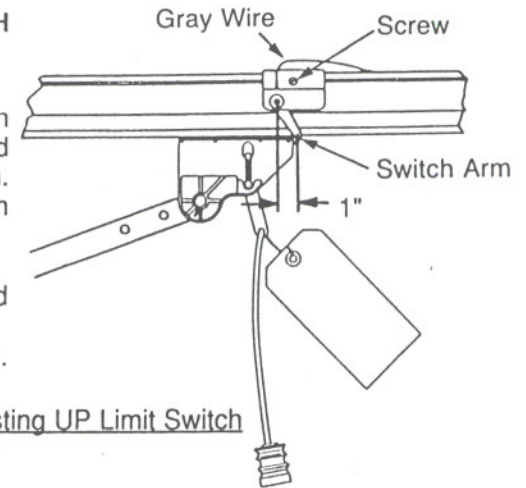


Fig. 15. Adjusting UP Limit Switch

SECTION E — SAFE-T-BEAM (STB) INSTALLATION

NOTE:

1. Door operator will not run without the STB system installed.
2. Red receiver light glows with a steady beam when installation is correct.
3. A beam obstruction or misalignment will cause the red light to blink.
4. The door operator will not run properly until you remove the obstruction or align the beam.

1 FASTEN TRANSMITTER AND RECEIVER TO MOUNTING BRACKETS

- Fasten transmitter and receiver to brackets with (2) 8-32 x 1 1/2" bolts and nuts.

2 INSTALL MOUNTING BRACKETS

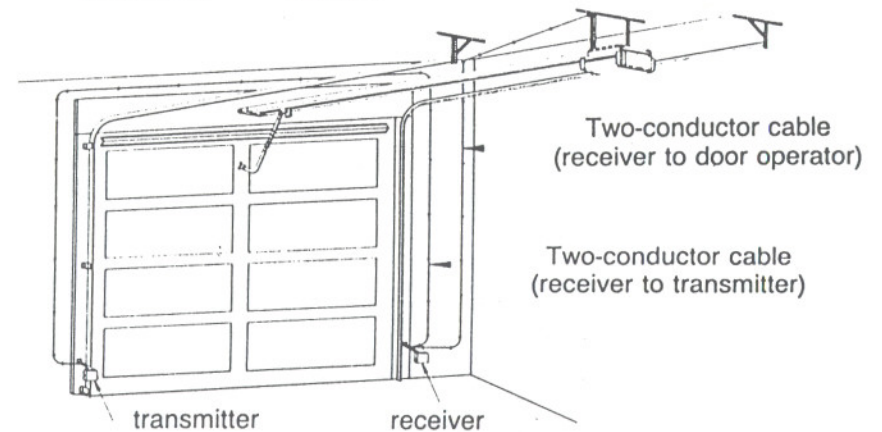
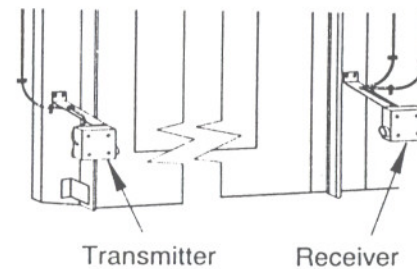
- Locate bracket so lens of transmitter or receiver is no more than 6" above the floor.
- Align brackets so lens are aimed at each other. Light beam path cannot be blocked by door parts or hardware.
- Fasten bracket to solid framing on each side of door with no. 8 wood screw.

3 RUN ONE 2-CONDUCTOR WIRE FROM RECEIVER TO TRANSMITTER.

- Plug wire into either receptacle on receiver.
- Staple wire around door frame, clear of moving door parts and springs.
- Drive staples just tight enough to hold wire.
- Plug wire into transmitter.
- Bundle and tie excess wire away from moving parts.

4 RUN ONE 2-CONDUCTOR WIRE FROM RECEIVER TO POWER UNIT.

- Plug wire into remaining receptacle in receiver.
- Run and staple the wire from receiver to power unit.
- Drive staples just tight enough to hold wire.
- Plug wire into STB receptacle on power unit.
- Bundle and tie excess wire away from moving parts.



SECTION F — INSTALL WALL CONTROL

IF YOU HAVE THIS WALL CONTROL, FOLLOW THESE DIRECTIONS.

WARNING

UNINTENTIONAL OPERATION
POSSIBLE. ELECTRICAL
SHOCK HAZARD.

Be sure power cord is unplugged
before attaching any wires.

Be sure wire ends do not touch
each other. Be sure wire ends do
not touch other terminals.

WARNING

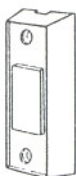
MOVING DOORS CAN INJURE
PEOPLE OR PETS.

Mount wall control:

- Where door can be seen.
- Out of reach of children.
- Where user cannot stand under
or near moving door.

FOR MAXIMUM SAFETY:

- Show everyone who will use
operator how to do it safely.
- Operate door only when it's fully
visible.
- Do not operate door when anyone
is in area.
- Do not allow anyone to run under
moving door.
- Do not allow children or pets to
play under door.
- Do not let children play with
controls.



1 PREPARE WIRES FOR POWER UNIT.

- Strip 1/2" insulation from each wire.

2 ATTACH WIRES TO POWER UNIT. (Fig. 16)

- Attach white wire to terminal 1.
- Attach blue striped wire to terminal 2.
- Route as shown.

3 SELECT A LOCATION FOR THE WALL CONTROL.

- Route wire from power unit to wall
control location.
- Staple wire to ceiling and wall.
- Drive Staples just tight enough
to hold wire.

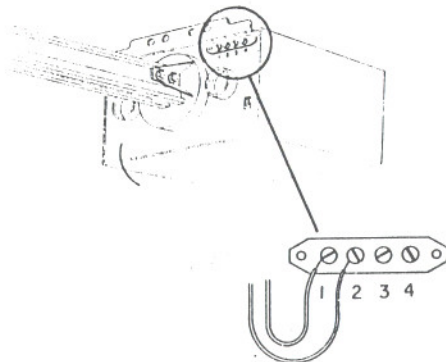


Fig. 16.

4 PREPARE WIRE FOR WALL CONTROL.

- Strip 1/2" insulation from each wire.

5 ATTACH WIRE TO WALL CONTROL. (Fig. 17)

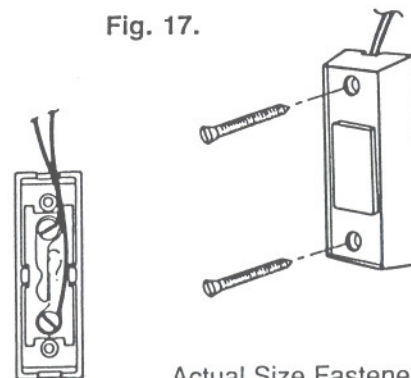
- Attach white wire to "W" screw
head.
- Attach blue striped to "B" screw head.

6 MOUNT WALL CONTROL WITH WOOD SCREWS. (Fig. 17)

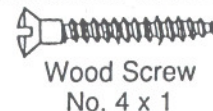
7 MOUNT WARNING LABEL NEAR CONTROL.

- Read the label now.
- Make certain everyone reads and
follows CAUTIONS.
- Use tacks or staples if needed to
hold label in place permanently.

Fig. 17.



Actual Size Fastener



SECTION G — SETTING PERSONAL CODE

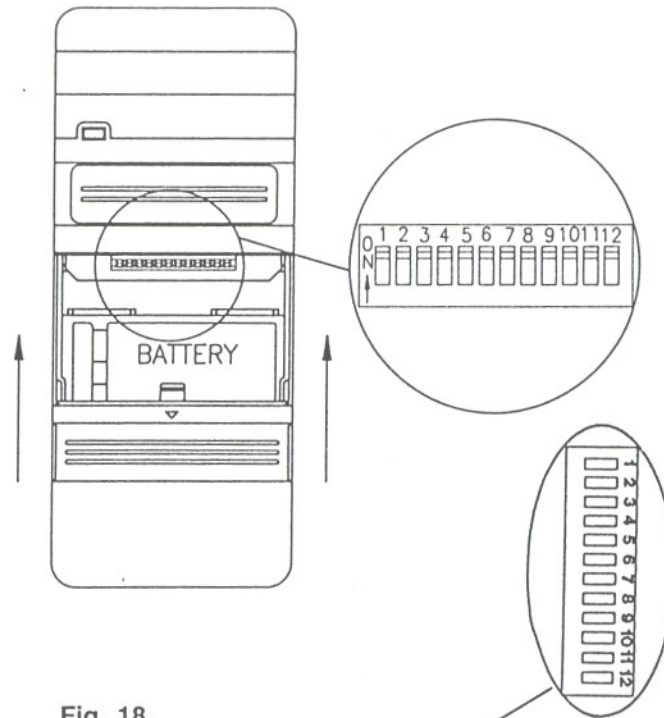
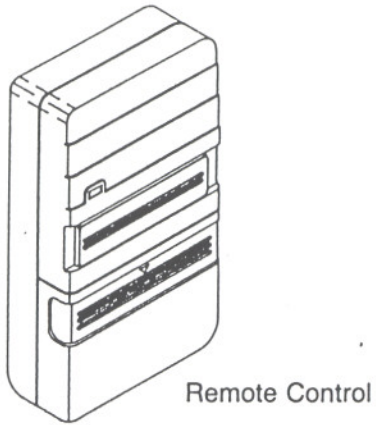
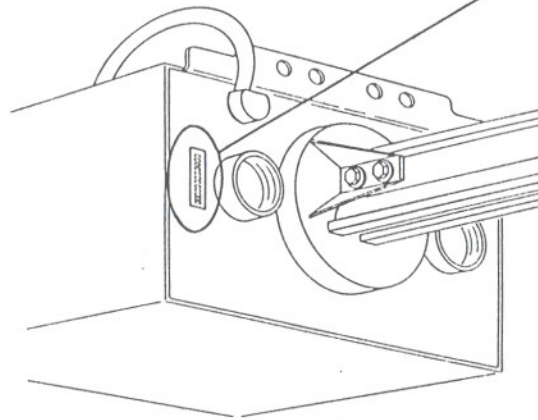


Fig. 18.

Code
Switches
1-12
In Same
Position



NOTE: For maximum security, set your personal code (fig. 18).
• Do not leave all code switches at factory setting.

1 REMOVE BATTERY COVER (lower front cover.)

- Press firmly below arrow and slide cover off.

2 SLIDE 3 OR MORE CODE SWITCHES TO SET YOUR PERSONAL CODE.

- Use ball point pen or small screwdriver.
- Slide firmly up or down.

3 HOLD REMOTE CONTROL NEXT TO POWER UNIT CODE SWITCHES (located on front panel).

4 SLIDE POWER UNIT CODE SWITCHES TO MATCH REMOTE CONTROL CODE SWITCH SETTINGS.

5 REPLACE REMOTE CONTROL BATTERY COVER.

- Slide battery cover back in place over battery.
- Press firmly and slide forward to snap in place.

YOUR REMOTE CONTROL IS READY TO USE.

SECTION H — INSTALL LIGHT BULBS AND LENS

WARNING

ELECTRICAL HAZARD. BE SURE OPERATOR IS UNPLUGGED.

- Do not use bulbs larger than 60 watts.
- Do not use light sockets for any other purpose.

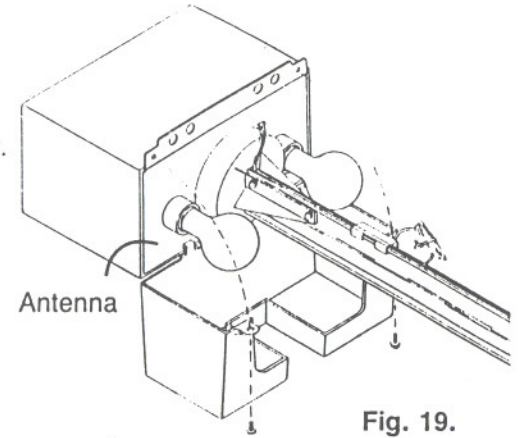
1 INSTALL BULBS IN BOTH LIGHT SOCKETS. (Fig. 19)

• Use bulbs rated for:

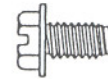
- Rough Service
- Vibration
- Appliance

2 INSTALL LENS. (Fig. 19)

- Place two hooks in slots.
- Be sure antenna is outside lens.
- Swing lens up.
- Insert screws and tighten securely.
- Swing antenna straight down.



Actual Size Fastener



Screw
No. 8 x 3/8

IMPORTANT SAFETY INSTRUCTIONS

WARNING – To reduce the risk of severe injury or death:

1. READ AND FOLLOW ALL INSTRUCTIONS.
2. Never let children operate, or play with door controls. Keep remote control away from children.
3. Always keep moving door in sight and away from people and objects until it is completely closed. NO ONE SHOULD CROSS THE PATH OF THE MOVING DOOR.
4. Test door opener monthly. The garage door MUST reverse on contact with a 2 by 4" board laid flat on the floor. If adjusting either the force or the limit of travel, retest the door opener. Failure to adjust the opener properly may cause severe injury or death.
5. If possible, use the emergency release only when the door is closed. Use caution when using this release with the door open. Weak or broken springs may cause the door to fall rapidly, causing injury or death.
6. KEEP GARAGE DOORS PROPERLY BALANCED. (See Section L, Page 21). An improperly balanced door could cause severe injury. Have a qualified service person make repairs to cables, spring assemblies and other hardware.
7. SAVE THESE INSTRUCTIONS.

SECTION I — CONNECT OPERATOR TO POWER

WARNING

ELECTRICAL SHOCK HAZARD. HIGH VOLTAGE APPLIED TO OPERATOR.

Improper wiring can result in severe electrical shock or death.

- Attach power cord only to properly grounded outlet.

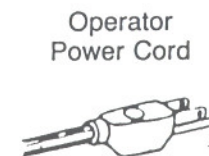
- Do not remove grounding prong from power cord plug.
- Do not use an extension cord to supply permanent power to operator.

Have a professional electrician install an approved outlet.

ELECTRICAL OUTLET

1 PLUG OPERATOR POWER CORD INTO GROUNDED OUTLET. (Fig. 20)

- Slide cover straight back.
- Disconnect three power cord wires.
- Pry out strain relief plug.
- Remove power cord.



Grounded
Outlet



Fig. 20.

SECTION I — CONNECT OPERATOR TO POWER (continued)

PERMANENT WIRING (Materials Not Included)

WARNING

ELECTRICAL SHOCK HAZARD.

Disconnect electrical power before working on operator.

1 CHECK YOUR LOCAL BUILDING CODES.

- Some codes require direct wiring to a branch circuit.
- Have a professional electrician install circuit and wire operator.

2 REMOVE EXISTING POWER CORD FROM POWER UNIT:

- Remove power unit cover.
- Loosen four screws (do not remove).

- Slide cover straight back.
- Disconnect three power cord wires.
- Pry out strain relief plug.
- Remove power cord.

3 CONNECT BRANCH CIRCUIT TO OPERATOR.

- Remove 7/8" diameter knock-out from power unit.

- Install suitable entrance bushing.
- White wire to silver terminal.
- Black wire to brass terminal.
- Green wire to green screw.

4 REPLACE POWER UNIT COVER.

- Slide straight on.
- Tighten 4 screws.

SECTION J — ADJUST SAFE-T-REVERSE®

FOR MAXIMUM SAFETY, ADJUST YOUR GENIE SO THAT THE MINIMUM FORCE NEEDED TO OPERATE DOOR IS USED.

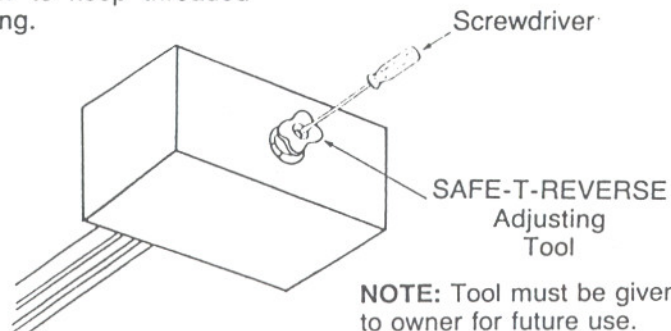
WARNING

DISCONNECT POWER TO OPERATOR BEFORE MAKING ANY ADJUSTMENTS

NOTE: Be sure door is fully open and carriage is engaged.

1 LOOSEN ADJUSTING NUT BY TURNING COUNTERCLOCKWISE 3 TURNS.

- Use SAFE-T-REVERSE adjusting tool.
- Use screwdriver to keep threaded shaft from turning.



2 CLOSE AND OPEN DOOR.

- Use wall control.

If door does not completely close and open, go to step 3.

If door completely closes and opens, loosen the nut one turn at a time until door no longer completes the close and open travel. Go to step 3.

NOTE: If door stops and does not respond to controls, Motor protector may be open. Wait about 20 minutes for automatic reset before continuing adjustment.

3 TIGHTEN ADJUSTING NUT 1/2 TURN AT A TIME.

- Use SAFE-T-REVERSE adjusting tool.
- Use screwdriver.
- Stop adjustments when door operates reliably.

DO NOT OVERTIGHTEN.

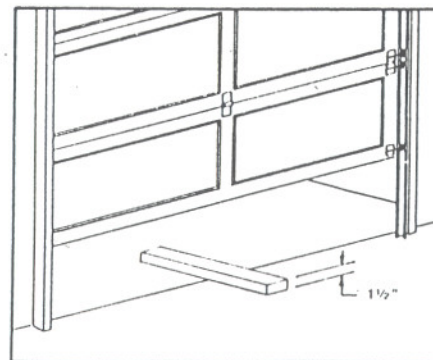
4 TEST SAFE-T-REVERSE

- Open door
- Use wall control.
- Place a 2" x 4" board in center of doorway.
- Close door.

DOOR MUST STOP AND REVERSE TO OPEN POSITION. IF IT DOES NOT, REPEAT ADJUSTMENT UNTIL THE DOOR WILL REVERSE TO THE OPEN POSITION.

DO THIS TEST MONTHLY.

NOTE: It may be necessary to lengthen the door arms and reset the down limit switch. See page 9, Step 9 and section D, page 16.)



SECTION K — USING YOUR REMOTE CONTROL

TRANSMITTER OPERATION:

- Point the transmitter at the garage door and press button. Door will open or close.
- Press the button while the door is moving. Door will stop.
- Press the button again. The door moves the other way.
- Door automatically stops at the end of open or close cycle.
- For maximum range, point remote control at door and press button.

The transmitter is certified to comply with the F.C.C. Rules and Regulations when operated from inside an automobile.

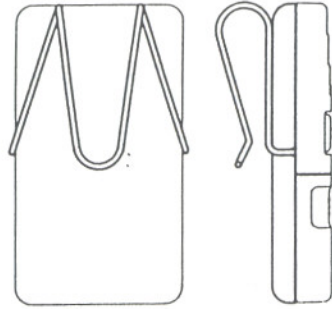


Fig. 21

LOST OR STOLEN TRANSMITTERS:

If your transmitter has been lost or stolen, it is recommended that you change the code setting on all transmitters and receivers for security.

VISOR CLIP ATTACHMENT:

- Attach visor clip to remote control (Fig. 21).
- spread wire ends apart.
- insert wire ends into holes in sides of remote control.
- Clip can be inserted up or down.

ADDITIONAL REMOTE CONTROLS:

Order extra remote controls where you bought your operator. Check back of remote control for model number.

BATTERY REPLACEMENT (your remote control is battery powered):

- Remove battery cover by pressing firmly below arrow and slide cover off. (Fig. 18, page 18).
- Install new battery in same position.
- Use Eveready 9V Classic No. 216.
- Replace cover.

SECTION L — MAINTENANCE AND TROUBLESHOOTING

MONTHLY MAINTENANCE

DOOR SPRINGS

- Do not operate garage door automatically or manually if springs are broken. CONTACT A PROFESSIONAL FOR SERVICE.

DOOR HARDWARE

- Oil door rollers, bearings, and hinges monthly. Use silicone lubricant or light oil.

WARNING:

FAILURE TO ADJUST THE OPENER PROPERLY MAY CAUSE SEVERE INJURY OR DEATH.

DOOR BALANCE

- Close door.
- Pull red Emergency Release cord to release door from opener.
- Raise door manually approximately 3 feet. Door should stay in that position.
- If door moves, HAVE DOOR SERVICED BY A PROFESSIONAL.
- Close door. Pull red Emergency Release Cord to reattach door to opener.

SAFETY CONTROL

- Close door on a 2 x 4" board (actual thickness of 1½") laid flat on the floor in the center of garage doorway.
- Close door by using wall button or remote control.
- If door fails to reverse on contact with the board, adjust the SAFE-T-REVERSE (see section J.)
- If opener still fails, replace opener or HAVE THE DOOR SERVICED BY A PROFESSIONAL.

SCREW LUBRICATION

- Opener screw is lubricated with Mobile SHC 32 ONLY.
- To lubricate, use Mobil SHC 32, "Aero" or "Low Temp" Lubriplate.
- ANY OTHER LUBRICATION MAY DAMAGE MECHANISM.
- Lubricant can be ordered directly from:
The Genie Company
Service Department.
22790 Lake Park Blvd.
Alliance, OH 44601

WARNING**GARAGE DOOR SPRINGS ARE POWERFUL.**

They balance the weight of the door. Sudden release of spring tension can result in deadly force.

GARAGE DOORS ARE HEAVY.

- Stay out from under raised doors.
- Do not allow children to play under raised doors.
- Do not stand under moving doors.
- Do not run under moving doors.
- Do not try to operate a door with a broken spring.
- Do not try to operate a door with worn or damaged hardware.

**NEVER TRY TO WORK ON SPRINGS.
CALL A PROFESSIONAL FOR SERVICE.**

**KEEP YOUR DOOR IN GOOD REPAIR.
CALL A PROFESSIONAL FOR SERVICE**

USE THIS GUIDE TO CORRECT PROBLEMS WITH YOUR DOOR OPERATOR. IF ONE OF THESE SOLUTIONS DOESN'T WORK
CALL (216) 821-1221 or 1-800-654-3643

TROUBLESHOOTING

| PROBLEM | SOLUTIONS | PROBLEM | SOLUTIONS |
|--|---|--|---|
| Operator does not run from wall control. | <p>Check the power source.</p> <ul style="list-style-type: none"> • Plug a lamp into outlet used for operator. If lamp works, power source is OK. If not, check fuse or circuit breaker. • If power is OK: <ul style="list-style-type: none"> • Check connections at operator terminals. • Check connections at wall control. • Motor protector may be open. Wait about 20 minutes for automatic reset. | Remote control has less than 25 feet operating range. | <p>Relocate remote control inside car.</p> <p>Point remote control at door.</p> <p>Replace battery.</p> <p>Do not attempt to retune radio controls.</p> |
| Door starts for no reason. | <p>Check staples on wire from power unit to wall control. If they cut into insulation, they can short wires. If wire is cut, replace it.</p> <p>Someone nearby may have selected the same personal code. Change your code (See Section G, page 18).</p> | Door starts up, but stops before it's completely open. | <p>Be sure door is in good repair, properly lubricated and balanced.</p> <p>Check UP limit switch setting (See Section D, page 16).</p> <p>Check SAFE-T-REVERSE adjustment (See Section J, page 20).</p> |
| Door starts down, then stops before it's closed. | Check DOWN limit switch setting. (See Section D, page 16). | Operator runs, but door does not move. | <p>Make sure carriage is engaged.</p> <p>Check SAFE-T-REVERSE adjustment. (See Section J, page 20).</p> |
| Door starts down, then stops and goes back up. | <p>Check SAFE-T-REVERSE adjustment. (See Section J, page 20).</p> <p>If door has SAFE-T-BEAM, check for light beam obstruction or misalignment.</p> | Operator works from wall control, but not from remote control. | <p>Check code settings on remote control and power unit. They must be identical. (See Section G, page 18).</p> <p>If one remote control works and another doesn't, check battery, code setting and frequency of non-working unit.</p> |
| Door will only run closed. | Check UP limit switch for free movement and proper wiring. | Noisy operation. | <p>Be sure all fasteners are tight.</p> <p>Be sure door is in good repair, properly lubricated and balanced.</p> <p>Lubricate drive screw. Use Only:</p> <ul style="list-style-type: none"> • Lubriplate Low Temp • Lubriplate Aero |
| Door will only run open. | <p>Check SAFE-T-BEAM.</p> <p>Check down limit switch for free movement and proper wiring.</p> | | <p>Other lubricants may damage your opera.</p> |

TEST SAFE-T-REVERSE MONTHLY - SEE SECTION J

WIRING DIAGRAM

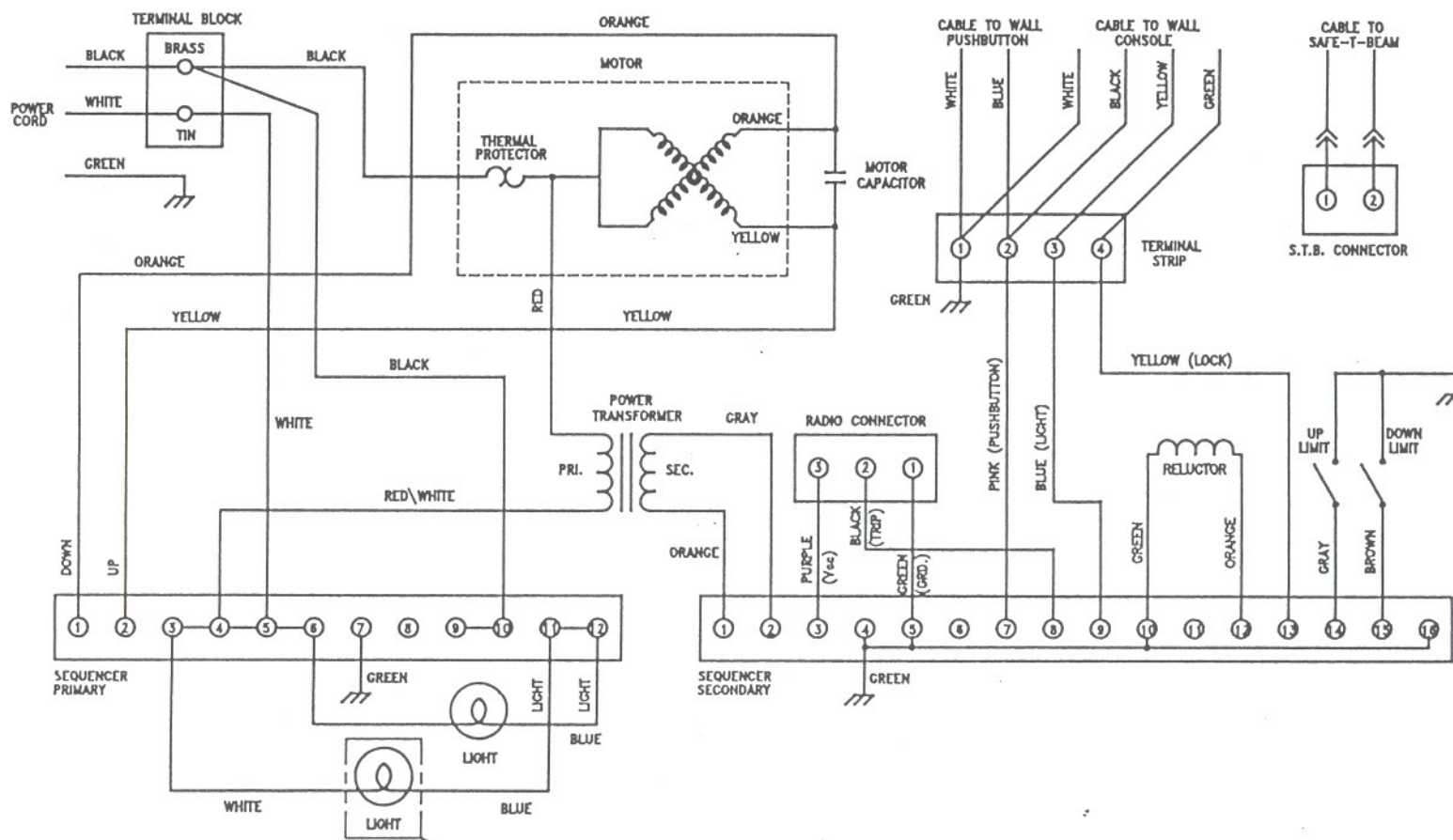
WARNING

HIGH VOLTAGE POWER APPLIED TO MOTOR.

Improper wiring can result in severe electrical shock or death.

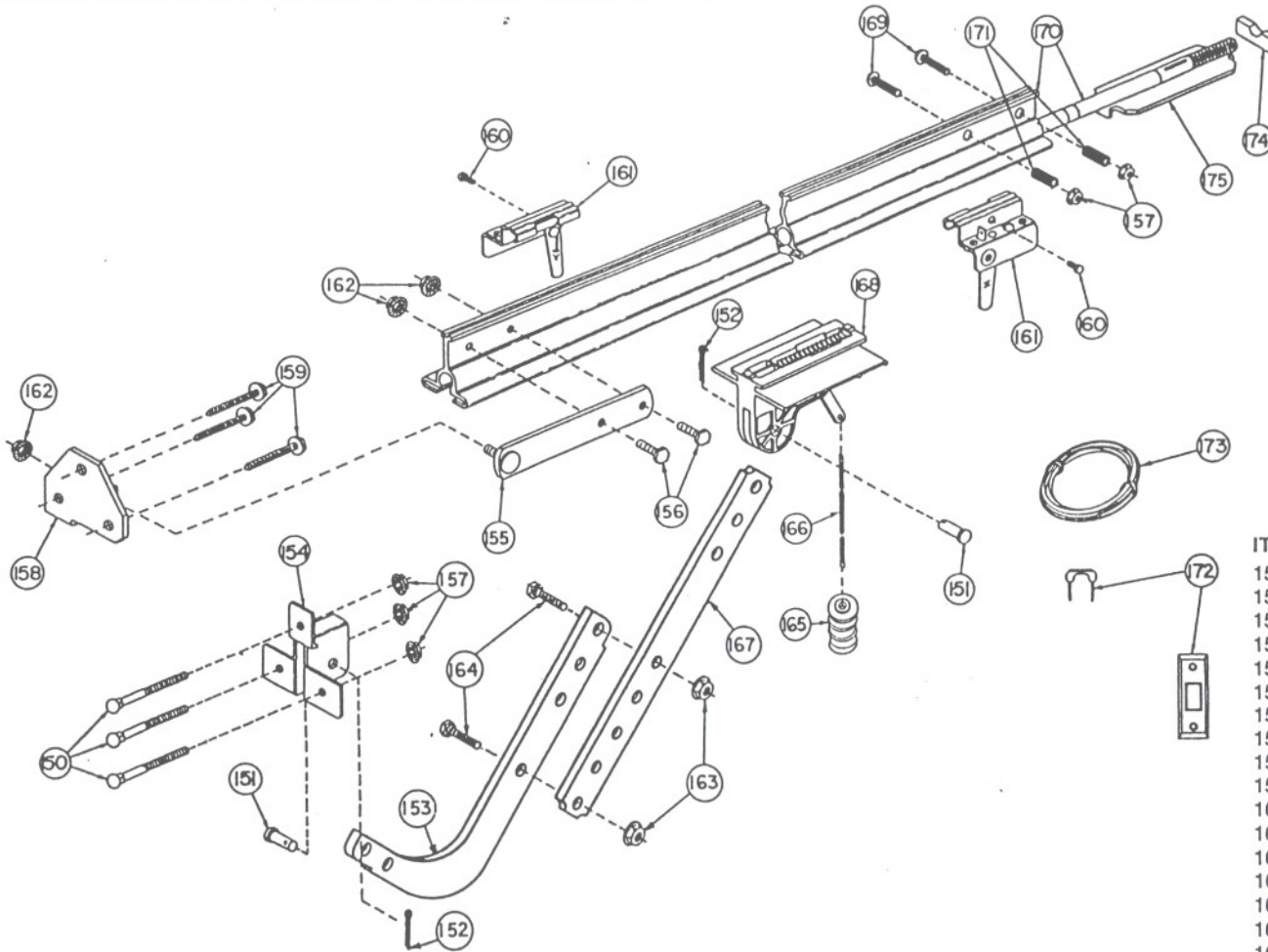
Disconnect power before removing cover from operator.

Electrical testing and service must be done only by trained professionals.



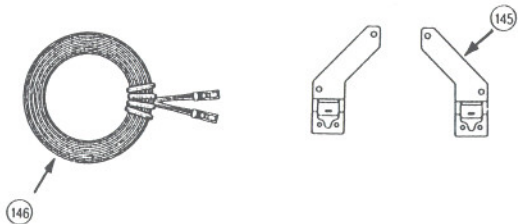
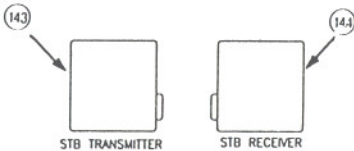
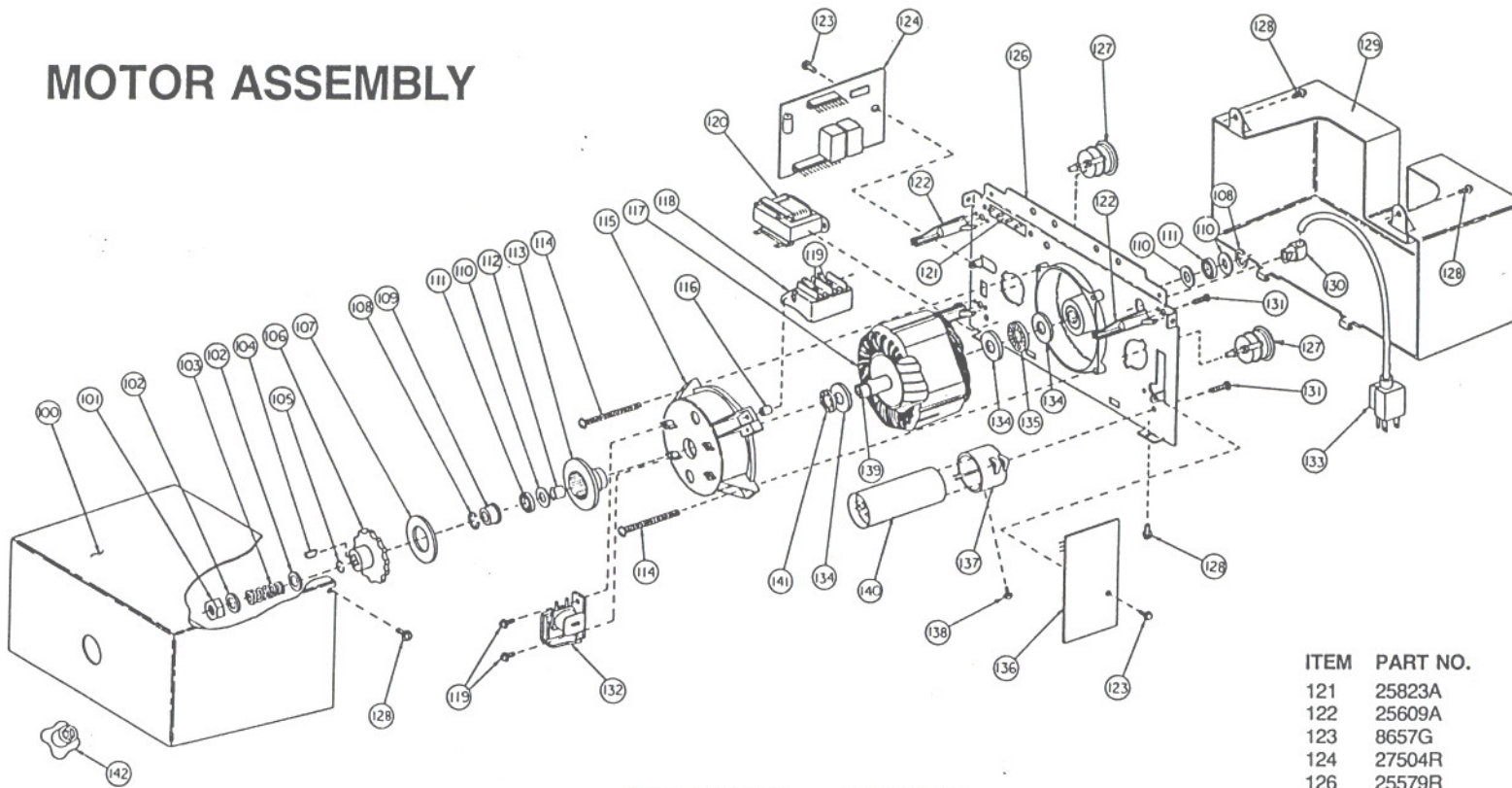
ON MODELS THAT HAVE ONLY ONE LIGHT, THE WHITE WIRE FROM POSITION #3, THE BLUE WIRE FROM POSITION #10, AND THE LIGHT SOCKET ITSELF WILL BE OMITTED.

RAIL/HARDWARE COMPONENTS



| ITEM | PART NO. | PART NAME |
|------|----------|-----------------------------------|
| 150 | 3359Q | CARRIAGE BOLT |
| 151 | 5987F | CLEVIS PIN |
| 152 | 606-E | COTTER PIN |
| 153 | 26013-B | CURVED DOOR ARM |
| 154 | 19792B | DOOR BRACKET |
| 155 | 22766R | RAIL STRAP |
| 156 | 5973K | HEX HEAD SCREW |
| 157 | 24121B | HEX FLANGE NUT |
| 158 | 22668A | HEADER BRACKET |
| 159 | 8091A | LAG SCREW, 5/16 x 2 |
| 160 | 25967A | SCREW |
| 161 | 24454R | LIMIT SWITCH ASSEMBLY |
| 162 | 24121C | HEX FLANGE NUT |
| 163 | 24121D | HEX FLANGE NUT |
| 164 | 5973Q | HEX HEAD SCREW |
| 165 | 21122A | RELEASE KNOB |
| 166 | 21123B | RELEASE CORD (CM7500, CM8500) |
| | 21123C | RELEASE CORD (CM7500-8, CM8500-8) |
| 167 | 26012B | STRAIGHT DOOR ARM |
| 168 | 25589R | CARRIAGE |
| 169 | 8025D | HEX HEAD SCREW |
| 170 | 20115S | RAIL & SCREW ASS'Y (CM7500) |
| | 20243R | RAIL & SCREW ASS'Y (CM7500-8) |
| | 20115S | RAIL & SCREW ASS'Y (CM8500) |
| | 20243R | RAIL & SCREW ASS'Y (CM8500-8) |
| 171 | 18857A | BUSHING |
| 172 | 22705V | WALL CONTROL AND STAPLES |
| 173 | 27622A | TWO-CONDUCTOR WIRE |
| 174 | 1842AA | BUMPER |
| 175 | 25533A | CARRIAGE STOP |

MOTOR ASSEMBLY



| ITEM | PART NO. | PART NAME |
|------|----------|--|
| 100 | | ORDER COVER BY MODEL NO. MARKED ON RAIL LABEL. |
| 101 | 8132A | HEX LOCK NUT |
| 102 | 8184C | WASHER |
| 103 | 24472A | CLUTCH SPRING |
| 104 | 6199A | WOODRUFF KEY |
| 105 | 24726A | WEDGE RING |
| 106 | 24471A | RELUCTOR HUB |
| 107 | 25686A | CLUTCH FACING |
| 108 | 24311A | RETAINING RING |
| 109 | 26182A | FLANGE SPACER |
| 110 | 18394A | THRUST BEARING WASHER |
| 111 | 24687A | NYLON THRUST BEARING |
| 112 | 18732A | LINER |
| 113 | 24235D | CLUTCH BASE |
| 114 | 8059H | WASHERHEAD SCREW (CM8500, 8500-8) |
| | 8059G | WASHERHEAD SCREW (CM7500, 7500-8) |
| 115 | 24373R | END BELL |
| 116 | 8792H | SPACER (CM8500, 8500-8 ONLY) |
| 117 | 24463R | FIELD ASSEMBLY (CM8500, 8500-8) |
| | 24467R | FIELD ASSEMBLY (CM7500, 7500-8) |
| 118 | 24348R | TERMINAL BLOCK |
| 119 | 8706E | SCREW |
| 120 | 24412R | TRANSFORMER |

| ITEM | PART NO. | PART NAME |
|------|----------|-------------------------------|
| 121 | 25823A | TERMINAL STRIP |
| 122 | 25609A | CIRCUIT BOARD BRACKET |
| 123 | 8657G | SCREW |
| 124 | 27504R | SEQUENCER ASSEMBLY |
| 126 | 25579R | PANEL AND CASTING ASSEMBLY |
| 127 | 26643A | LIGHT SOCKET |
| 128 | 24940A30 | HEX HEAD SCREW |
| 129 | 25559A | LENS |
| 130 | 25585A | STRAIN RELIEF |
| 131 | 24501D | HEX HEAD SCREW |
| 132 | 21062S | RELUCTOR |
| 133 | 24567R | POWER CORD |
| 134 | 19661A | THRUST BEARING WASHER |
| 135 | 19660B | THRUST BALL BEARING |
| 136 | 25648R | RECEIVER ASSEMBLY |
| 137 | 25731A | CAPACITOR BRACKET |
| 138 | 24940A | HEX HEAD SCREW |
| 139 | 25575R | ROTOR (CM8500, 8500-8) |
| | 25576R | ROTOR (CM7500, 7500-8) |
| 140 | 19988A | CAPACITOR (CM8500, 8500-8) |
| | 18004B | CAPACITOR (CM7500, 7500-8) |
| 141 | 24686B | THRUST BALL BEARING |
| 142 | 19610A | SAFE-T-REVERSE ADJUSTING TOOL |
| 143 | 27449R | STB TRANSMITTER |
| 144 | 27448R | STB RECEIVER |
| 145 | 27467A | STB BRACKET-A |
| | 27467B | STB BRACKET - B |
| 146 | 27450R | 2 CONDUCTOR WIRE - 2 COILS |

THE GENIE COMPANY LIMITED WARRANTY

This warranty applies only to The Genie Company products purchased in the United States.

What is covered: Any defect in material and workmanship.

For how long:

Motor – One year;

All other parts – one year

Who gets the warranty: This warranty is limited to the consumer who originally purchased the product.

Limitations: Implied warranties, including those of fitness for a particular purpose and merchantability (an unwritten warranty that the product is fit for ordinary use), are limited to one year from the date of purchase.

The Genie Company will not pay for: loss of time; inconvenience; loss of use of your Genie Company product or property damage caused by your Genie Company product or its failure to work; any special, incidental or consequential damages; or any damages resulting from misuse or modification of your Genie Company product.

Some states do not allow limitations on how long an implied warranty lasts or the exclusion of incidental or consequential damages, so the above exclusions may not apply to you.

How to obtain warranty service: To obtain warranty service for your Genie Company product, you must provide proof of the date and place of purchase of the product.

1. Service from the installer.

Contact the dealer who installed your Genie Company product.

2. Service from authorized dealers.

Call 1-(800) 654-3643 for a list of Genie Company Authorized Servicing Dealers near you.

The Genie Company will supply parts under warranty at no cost to you.

Note: Installers and Genie Company Authorized Dealers may charge for their services. The Genie Company will not reimburse you or otherwise be responsible for these charges.

What this warranty does not cover:

This warranty does not cover service charges, batteries, installation, defects resulting from accidents, or damage resulting from alterations, misuse or abuse, lack of proper maintenance, failure to follow instructions, unauthorized repair, damage caused by affixing of any attachment not provided with the product, fire, flood, or acts of God.

THIS IS THE ONLY WARRANTY GIVEN ON YOUR GENIE COMPANY PRODUCT. IT SETS FORTH ALL OUR RESPONSIBILITIES REGARDING YOUR GENIE COMPANY PRODUCT. THERE ARE NO OTHER EXPRESS WARRANTIES.

State law rights. This warranty gives you specific legal rights, and you may also have other rights which vary from state to state.

FILL THIS IN AT TIME OF INSTALLATION GENIE® PROFESSIONAL GARAGE DOOR OPENER SYSTEM WARRANTY CARD

Date Purchased _____ Opener Date/Mfr. No. _____

Opener Model _____ Radio Control Model _____

Dealer's Name _____

Address _____

City _____ State _____

Zip Code _____ Phone _____

CORRESPONDENCE WITH
FACTORY MUST INCLUDE
DATE/MFR. NO.

THE GENIE COMPANY
SERVICE DEPT.
22790 LAKE PARK BOULEVARD
ALLIANCE, OHIO 44601
1-800-OK-GENIE

KEEP THIS FOR YOUR RECORDS

The device described herein is manufactured under one or more of the following U.S. patents:

| | | | | |
|-----------|-----------|-----------|-----------|-----------|
| 3,178,627 | 3,579,240 | 3,719,005 | 3,898,582 | 4,103,238 |
| 3,333,272 | 3,625,328 | 3,754,187 | 4,041,259 | D221,226 |
| 3,366,757 | 3,630,094 | 3,754,189 | 4,048,630 | D221,859 |
| 3,439,134 | 3,694,664 | 3,823,378 | 4,064,487 | |

Other Patents applied for



WARRANTY REGISTRATION

PROTECT YOUR INVESTMENT

Register your door operator today! Your prompt registration confirms your right to the protection available under the terms and conditions of your warranty. Please take a moment now to fill out completely and return this

sheet. Enjoy your new door operator with our sincere thanks and good wishes!

5

— Please Print —

Name: Mr. Mrs. Ms.

Last Name

First Name

MI

Address:

City:

State: ZIP Code:

Home Phone: Area code Number

Model Purchased:

Date/Mfr. No.

Date Of Purchase: Month Day Year

1. Place of purchase:

2. Factors in purchase decision: ₁ Price ₂ Brand Name ₃ Advertising
(Choose no more than 3) ₄ Store ₅ Dealer Recommendation
₆ Friend ₇ Features ₈ Replacement

3. Installation: ₁ Did it yourself ₃ Dealer Installed
₄ Friend Installed ₅ Other

4. Age of home: ₁ New ₂ 1-3 Years ₃ 4-6 Years ₄ 7-12 Years
₅ 13-20 Years ₆ Over 20 Years

5. Age of purchaser: ₁ Under 25 ₂ 26-34 ₃ 35-54 ₄ 55+

6. Number of garage doors with operators: ₁ 1 ₂ 2 ₃ 3

7. Income: ₁ Under \$16,000 ₂ \$16,000-20,000 ₃ \$20,001-25,000
₄ \$25,001-30,000 ₅ \$30,001-35,000 ₆ \$35,001-40,000
₇ \$40,001-50,000 ₈ \$50,000+

8. Marital status: ₁ Single ₂ Married ₃ Divorced ₄ Widower

9. Number of children at residence: ₁ 0 ₂ 1-2 ₃ 3-4 ₄ 5+

10. Work Description: ₁ Manager/Professional ₂ Sales/Service
₃ Skilled ₄ Student ₅ Retired

11. Education: ₁ Some High School ₂ High School Graduate
₃ Some College ₄ College Graduate ₅ Post College

Fold Over And Staple (Do Not Tape)

Affix
Postage
Here

**The Genie Company
Warranty Card Department
22790 Lake Park Blvd.
Alliance, Ohio USA 44601**

Fold Here

Fold Here